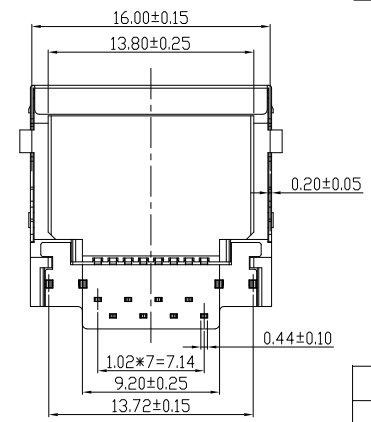
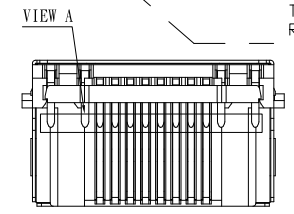
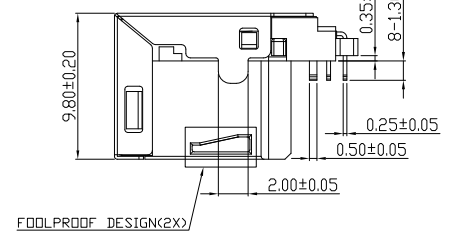
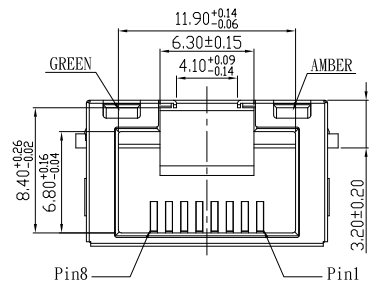
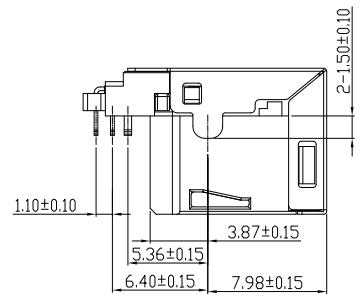
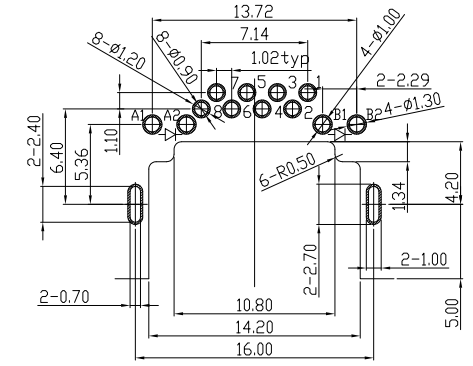
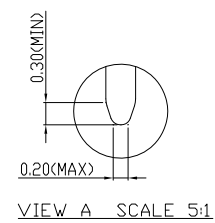
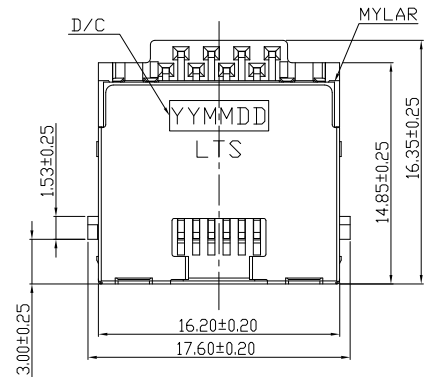


**RoHS
Compliant**

Halogen Free

REV	DESCRIPTION	ECN/ECR	DATE	DRAWN BY
△△	新訂圖面	—	05/06/2016	彭志婷



Part Number(凡準)	AU
RJN-025-1L12H6	G/F
RJN-025-1L12HG	30u"

TABLE:

30μ"	CD4521052002	-02	WHITE NI	YES
G/F	CD4521052002	-01	WHITE NI	YES
AU PLATING	PART NUMBER-XX	SHELL PLATING	HF	

LED ELECTRICAL CHARACTERISTIC

NODE	COLOR	WAVELENGTH	FORWARD CURRENT	
A1(+)	A2(-)	GREEN	564-577nm	If=20mA
B1(+)	B2(-)	AMBER	584-594nm	If=20mA

- NOTES:
- MATERIAL:
1-1:HOUSING:PA10T+35%GF(VICNYL R635NH)/PA4T;UL 94V-0, COLOR:BLACK
1-2:TERMINAL:PHOSPHOR BRONZE(C5210R-EH);T=0.25mm TREATMENT:
1.GOLD FLASH ON CONTACT AREA,MATTE SN 50u" MIN ON SOLDER TAIL,ALL OVER NI 30u" MIN.
2.GOLD 30u" MIN ON CONTACT AREA,MATTE SN 50u" MIN ON SOLDER TAIL,ALL OVER NI 30u" MIN.
 - SHELL:SUS(201);T=0.20mm,TREATMENT:50u" NI
 - LED:GREEN/AMBER,TREATMENT:TIN
 - STOPPLE:LCP(E6808);UL 94V-0,COLOR:BLACK
 - DEFEND :LCP(E6808);UL 94V-0,COLOR:BLACK
 - MYLAR:YELLOW
- 2.SPECIFICATIONS:
- VOLTAGE RATING:150VAC MAX.
 - CURRENT RATING:1.5AMP MAX.
 - INSULATION RESISTANCE:500MΩ MIN. AT 500V DC.
 - DIELECTRIC WITHSTANDING VOLTAGE:
500V AC 60HZ 1MINUTE.
 - DURABILITY:5000 CYCLES.
 - OPERATING TEMPERATURE:-30°C TO +70°C.
 - FOR REFLOW SOLDERING LEAD-FREE PROCESS.

東莞世華電子有限公司
SHYH HWA ELECTRONICS CO.,LTD.(DONGGUAN)
地址:東莞市塘廈鎮諸佛嶺178工業區
TEL:0769-87910020-1 FAX:0769-87910210

DRAWN BY 彭志婷
CHECKED BY
APPROVED BY

ITEM MINI RJ45 PHONE JACK(板上3.2mm)小防呆
PART NO CD4521052002-XX

ANGLE PROJECTION UNIT mm
SCALE 1:1
TOLERANCE .X±0.20 .XX±0.10
DATE 05/06/2016