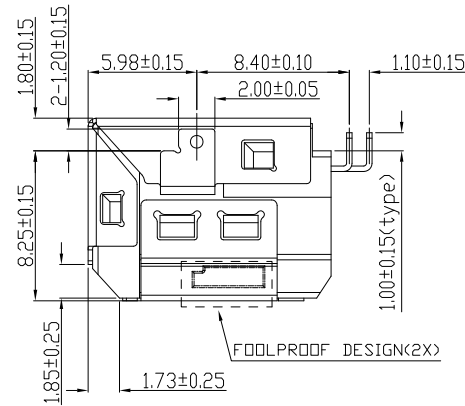
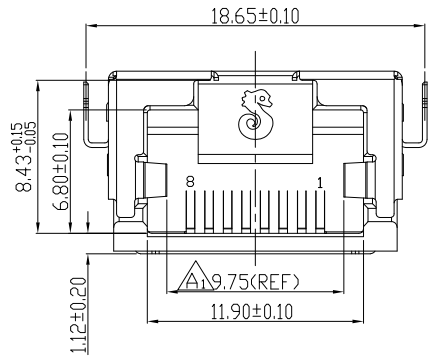
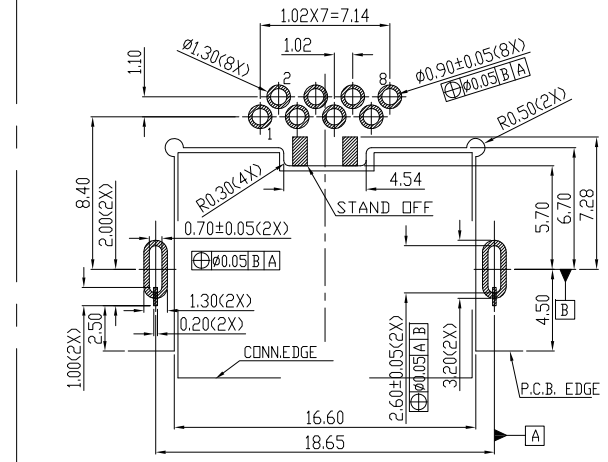
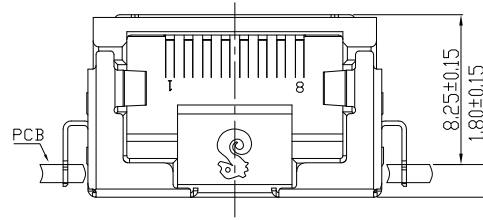
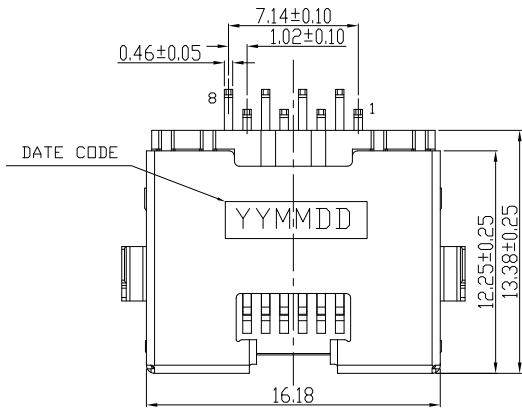
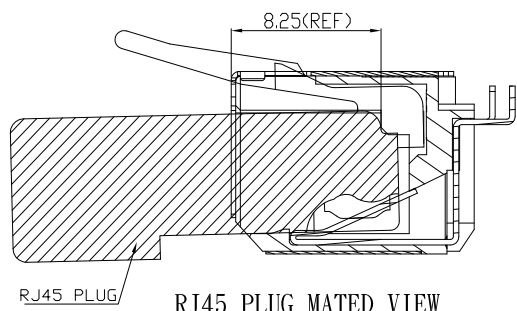
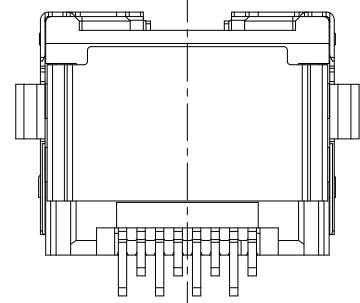


Part Number(客戶)	AU
2RJ1702-011111F	G/F

REV	DESCRIPTION	ECN/ECR	DATE	DRAWN BY
△	新訂圖面	—	03/17/2017	王奔
△	对插端增加弹片	—	07/19/2017	王奔



- NOTES:
- MATERIAL:
1-1:HOUSING:PA10T+30%GF(VICNGL R630NH);UL 94V-0
COLOR:BLACK.
1-2:TERMINAL:PHOSPHOR BRONZE(C5210R-EH);T=0.30mm
TREATMENT:GOLD FLASH ON CONTACT AREA,
MATTE SN 80u" MIN ON SOLDER TAIL,ALL OVER NI 50u" MIN.
 - SHELL:SUS(201);T=0.25mm,TREATMENT:ALL OVER WHITE NI 50u" MIN.
 - BOTTOM SHELL:SUS(201);T=0.15mm,TREATMENT:ALL OVER WHITE NI 50u" MIN.
 - DEFEND:LCP(E130i);UL 94V-0. COLOR:BLACK
- 2.ELECTRICAL CHARACTERISTICS:
- CURRENT RATING:1.5A MAX.
 - VOLTAGE RATING:150V MAX.
 - INSULATION RESISTANCE:1000MΩ MIN.
 - DIELECTRIC WITHSTANDING VOLTAGE:
500V CONTACT TO CONTACT.
- 3.MECHANICAC CHARACTERISTICS:
- MATING FORCE:2.3kgf MAX.
 - UNMATING FORCES:0.35kgf MIN.
 - OPERATING TEMPERATURE:-30°TO +70°.
 - FOR REFLOW SOLDERING LEAD-FREE PROCESS.
 - MATES WITH MODULAR PLUG CONFORMING TO FCC PART 68,SUBPART E.



東莞世華電子有限公司
SHYH HWA ELECTRONICS CO.,LTD.(DONGGUAN)
地址:東莞市塘廈鎮諸佛嶺178工業區
TEL:0769-87910020-1 FAX:0769-87910210

DRAWN BY	王奔	ITEM	MINI RJ45 PHONE JACK(反向8.25mm) (無LED)	ANGLE PROJECTION	UNIT	mm
CHECKED BY		PART NO	CD4531062007		SCALE	1:1
APPROVED BY		TOLERANCE	.X±0.20 .XX±0.10	DATE		