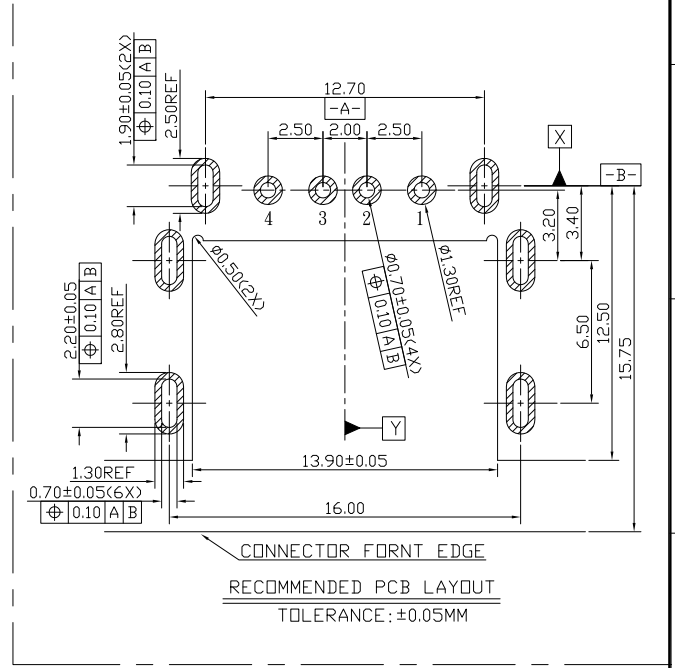
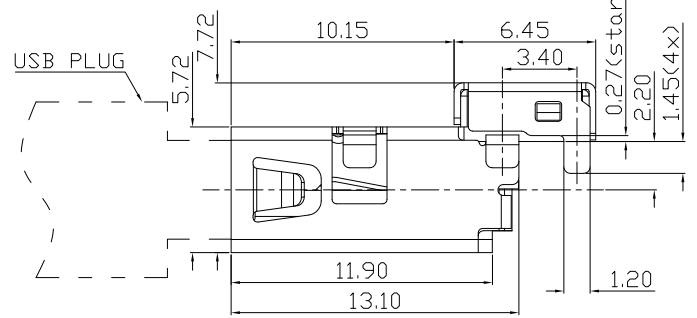
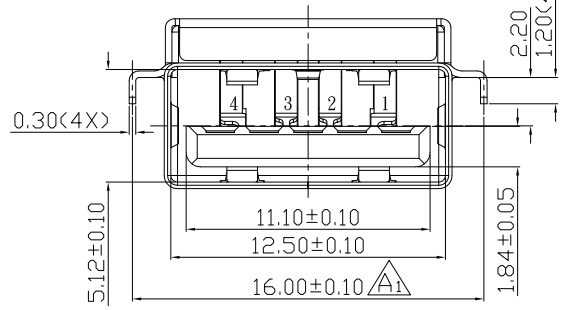
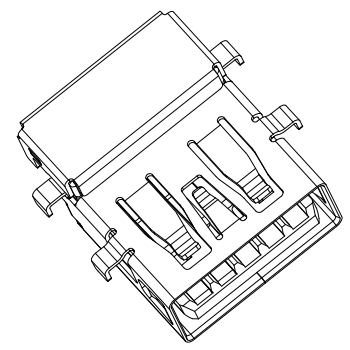
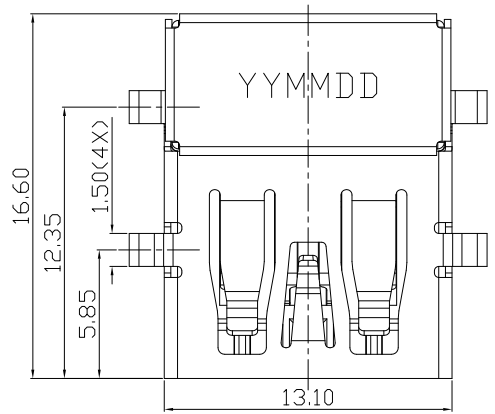


| REV | DESCRIPTION | ECN/ECR | DATE | DRAWN BY |
|-----|-------------|---------|------------|----------|
| A0 | 新訂圖面 | — | 02/18/2014 | 張黎林 |
| A1 | 修改圖面公差 | ECR | 02/07/2015 | 鐘 杭 |



NOTES:
 1.MATERIAL:
 1-1:HOUSING1:LCP;UL 94V-0.
 1-2:4P TERMINAL:PHOSPHOR BRONZE(C5191R-H);T=0.20mm
 TREATMENT:1U"G/50U" TIN
 1-3:SHELL:SUS;T=0.30mm,TREATMENT:50U" NI.
 1-4:BACK SHELL:SPCCT=0.30mm,TREATMENT:50U" NI.
 2.ELECTRICAL CHARACTERISTICS:
 2-1.VOLTAGE RATING:30V DC/AC MAX.
 2-2 INSULATION RESISTANCE:100M MIN AT 250V DC.
 2-3.DIELECTRIC WITHSTANDING VOLTAGE:250V AC MIN.
 2-4 LOW LEVEL CONTACT RESISTANCE:
 30mΩ MAX FOR VBUS AND PGND.
 50mΩ MAX FOR OTHER CONTACTS.

| PIN NO. | 1 | 2 | 3 | 4 |
|-------------|--------------------|----|----|-----|
| SIGNAL NAME | VBUS | D- | D+ | GND |
| REMARK | USB2.0 CONTACT PIN | | | |

3.MECHANIC CHARACTERISTICS:
 3-1.MATING FORCE:3.57kgf MAX.
 3-2.UNMATING FORCES:1.02kgf MIN
 3-3.OPERATING TEMPERATURE:
 -45° TO +85°

東莞世華電子有限公司
 SHYH HWA ELECTRONICS CO.,LTD.(DONGGUAN)
 地址:東莞市塘廈鎮諸佛嶺178工業區
 TEL:0769-87910020-1 FAX:0769-87910210

| | | | | | | | |
|-------------|-----|---------|-------------------------------------|---------------------|------------------|-------|------------|
| DRAWN BY | 鐘 杭 | ITEM | USB 2.0-A母頭(DIP)沉板式 (CL=-2.20MM) | | ANGLE PROJECTION | UNIT | mm |
| CHECKED BY | | PART NO | CD4581032001 | TOLERANCE | | SCALE | 1:1 |
| APPROVED BY | | | | .X±0.25 .XX±0.20 | | DATE | 02/07/2015 |