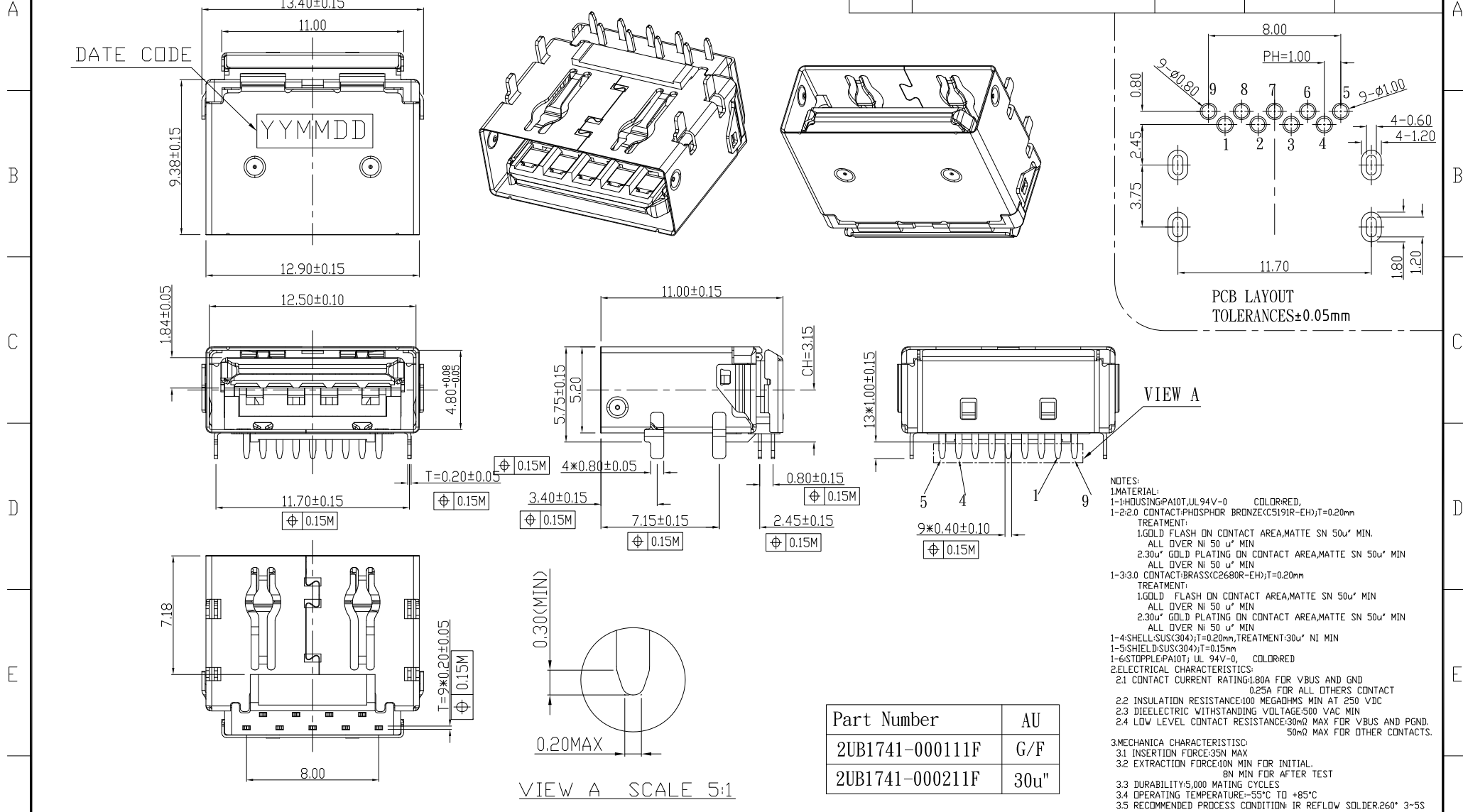


RoHS Compliant

Halogen Free

REV	DESCRIPTION	ECN/ECR	DATE	DRAWN BY
△A	新訂圖面		11/29/2017	王奔



PCB LAYOUT TOLERANCES±0.05mm

VIEW A

NOTES:
 1.MATERIAL:
 1-1:HOUSING:PA10T,UL 94V-0 COLOR:RED,
 1-2:0 CONTACT:PHOSPHOR BRONZE(C5191R-EH);T=0.20mm
 TREATMENT:
 1.GOLD FLASH ON CONTACT AREA,MATTE SN 50u" MIN.
 ALL OVER NI 50 u" MIN
 2.30u" GOLD PLATING ON CONTACT AREA,MATTE SN 50u" MIN
 ALL OVER NI 50 u" MIN
 1-3:3.0 CONTACT:BRASS(C2680R-EH);T=0.20mm
 TREATMENT:
 1.GOLD FLASH ON CONTACT AREA,MATTE SN 50u" MIN
 ALL OVER NI 50 u" MIN
 2.30u" GOLD PLATING ON CONTACT AREA,MATTE SN 50u" MIN
 ALL OVER NI 50 u" MIN
 1-4:SHELL:SUS(304);T=0.20mm,TREATMENT:30u" NI MIN
 1-5:SHIELD:SUS(304);T=0.15mm
 1-6:STOPPLE:PA10T, UL 94V-0, COLOR:RED
 2.ELECTRICAL CHARACTERISTICS:
 2.1 CONTACT CURRENT RATING:1.80A FOR VBUS AND GND
 0.25A FOR ALL OTHERS CONTACT
 2.2 INSULATION RESISTANCE:100 MEGOHMS MIN AT 250 VDC
 2.3 DIELECTRIC WITHSTANDING VOLTAGE:500 VAC MIN
 2.4 LOW LEVEL CONTACT RESISTANCE:30mΩ MAX FOR VBUS AND PGND.
 50mΩ MAX FOR OTHER CONTACTS.
 3.MECHANICA CHARACTERISTIC:
 3.1 INSERTION FORCE:35N MAX
 3.2 EXTRACTION FORCE:10N MIN FOR INITIAL,
 8N MIN FOR AFTER TEST
 3.3 DURABILITY:5,000 MATING CYCLES
 3.4 OPERATING TEMPERATURE:-55°C TO +85°C
 3.5 RECOMMENDED PROCESS CONDITION: IR REFLOW SOLDER,260° 3-5S

Part Number	AU
2UB1741-000111F	G/F
2UB1741-000211F	30u"

VIEW A SCALE 5:1

東莞世華電子有限公司
 SHYH HWA ELECTRONICS CO.,LTD.(DONGGUAN)
 地址:東莞市塘廈鎮諸佛嶺178工業區
 TEL:0769-87910020-1 FAX:0769-87910210

DRAWN BY	王奔	ITEM	USB 3.0-A母頭沉板式(CH=3.15mm)
CHECKED BY		PART NO	CD4531062023-XX
APPROVED BY			

ANGLE PROJECTION	UNIT	mm
	SCALE	1:1
TOLERANCE	DATE	11/29/2017
.X±0.20 .XX±0.10		