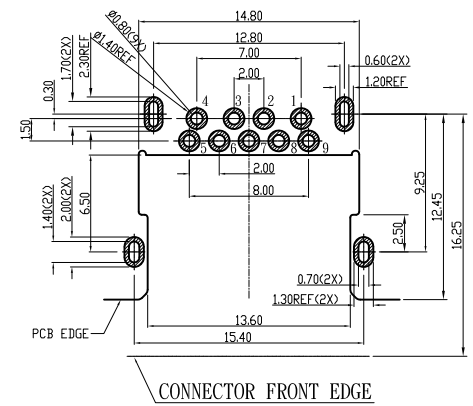
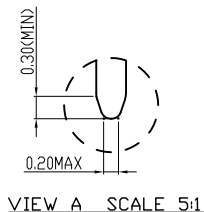
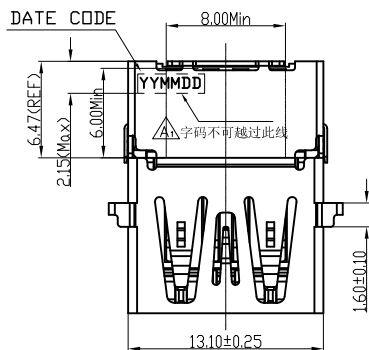


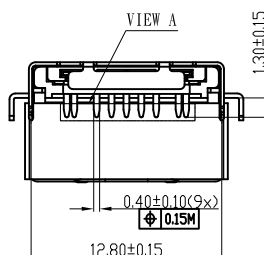
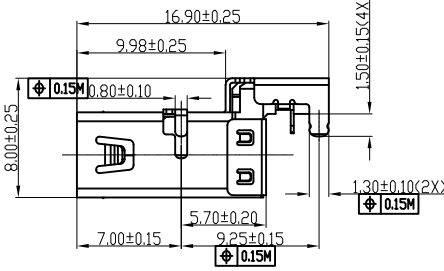
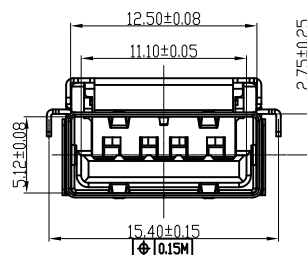
RoHS Compliant

Halogen Free

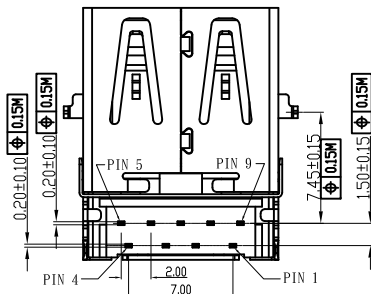
REV	DESCRIPTION	ECN/ECR	DATE	DRAWN BY
△0	新訂圖面		02/10/2017	胡久量
△1	修改字碼位置及大小	ECR	04/09/2019	左胜胜



PCB LAYOUT (LENGTH*WIDTH*THICKNE:40*35*1.2mm)
TOLERANCES±0.05mm



- NOTES:
- MATERIAL:
 - 1-1-HOUSING:LCP(E130I) COLOR:BLACK,
 - 1-2-0 CONTACT:PHOSPHOR BRONZE(C5191R-EH);T=0.20mm TREATMENT: 1.GOLD FLASH ON CONTACT AREA,MATTE SN 50u' MIN 2.30u' GOLD PLATING ON CONTACT AREA,MATTE SN 50u' MIN
 - 1-3-3.0 CONTACT:BRASS(C2680R-EH);T=0.20mm TREATMENT: 1.GOLD FLASH ON CONTACT AREA,MATTE SN 50u' MIN 2.30u' GOLD PLATING ON CONTACT AREA,MATTE SN 50u' MIN
 - 1-4-SHELL:SUS(304);T=0.30mm,TREATMENT:30u' NI MIN
 - 1-5-SHIELD:SUS(304);T=0.20mm
 - ELECTRICAL CHARACTERISTICS:
 - 2.1 CONTACT CURRENT RATING:1.80A FOR VBUS AND GND 0.25A FOR ALL OTHERS CONTACT
 - 2.2 INSULATION RESISTANCE:100 MEGOHMS MIN AT 250 VDC
 - 2.3 DIELECTRIC WITHSTANDING VOLTAGE:500 VAC MIN
 - 2.4 LOW LEVEL CONTACT RESISTANCE:30mΩ MAX FOR VBUS AND PGND. 50mΩ MAX FOR OTHER CONTACTS.
 - MECHANICA CHARACTERISTISC:
 - 3.1 INSERTION FORCE:35N MAX
 - 3.2 EXTRACTION FORCE:10N MIN FOR INITIAL. 8N MIN FOR AFTER TEST
 - 3.3 DURABILITY:5,000 MATING CYCLES
 - 3.4 OPERATING TEMPERATURE:-55°C TO +85°C
 - 3.5 RECOMMENDED PROCESS CONDITION: WAVE SOLDER.260° 3~5S



Part Number	AU
2UB1721-000111F	G/F
2UB1721-000211F	30u"

東莞世華電子有限公司
SHYH HWA ELECTRONICS CO.,LTD.(DONGGUAN)
地址:東莞市塘廈鎮諸佛嶺178工業區
TEL:0769-87910020-1 FAX:0769-87910210

DRAWN BY	左胜胜	ITEM	USB3.0-A母頭沉板式(CH=2.75mm)
CHECKED BY		PART NO	CD4531062001-XX
APPROVED BY			

ANGLE PROJECTION	UNIT	mm
	SCALE	1:1
TOLERANCE	DATE	04/09/2019
.X±0.20 .XX±0.10		