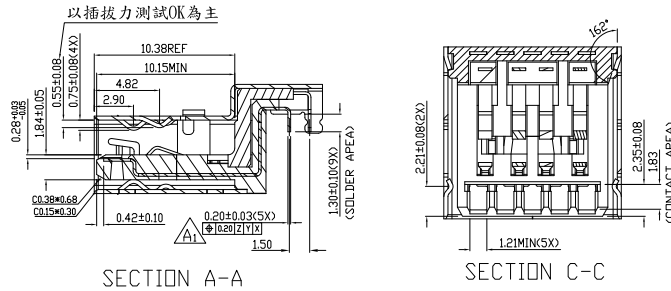
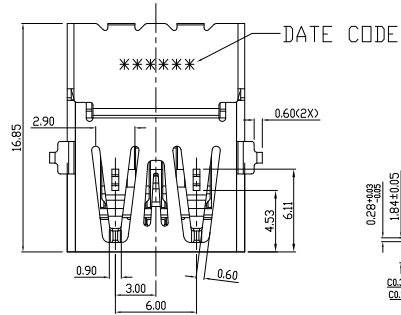


RoHS Compliant

Halogen Free

REV	DESCRIPTION	ECN/ECR	DATE	DRAWN BY
A0	新訂圖面		07/25/2015	胡久量
A1	修正外殼腳成型方式及正位度標準	ECR	03/10/2016	彭志婷
A2	修改圖面公差	ECR	04/22/2016	彭志婷
A3	修改圖面公差	ECR	10/26/2016	彭志婷

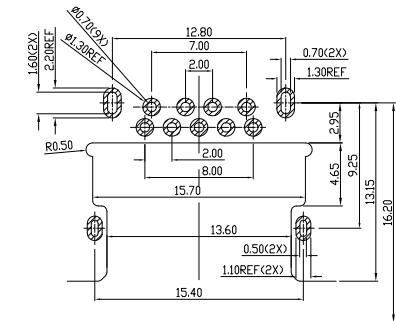


DATE CODE說明: 5 B C 1 A H

年 月 日 機 台 無
 線 班 齒
 別 夜 齒
 班

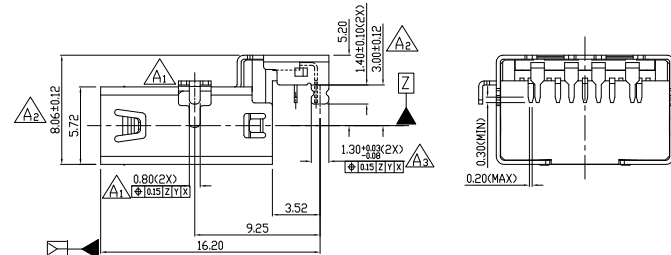
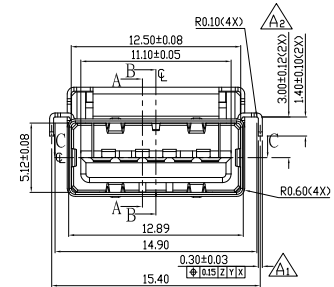
日期對照碼:

生產日	1	2	3	4	5	6	7	8	9	10	
對應碼	1	2	3	4	5	6	7	8	9	A	
生產日	11	12	13	14	15	16	17	18	19	20	
對應碼	B	C	D	E	F	G	H	J	K	L	
生產日	21	22	23	24	25	26	27	28	29	30	31
對應碼	M	N	P	R	S	T	V	W	X	Y	Z



PCB LAYOUT (LENGTH*WIDTH*THICKNE: 40*35*1.2mm)

TOLERANCES ±0.05mm



NOTES:

- MATERIAL:
 - 1-1: HOUSING: TABLE1, COLOR: SEE TABLE1,
 - 1-2: 2.0 CONTACT: PHOSPHOR BRONZE (C5191R-H); T=0.20mm TREATMENT: 1.2μ GOLD PLATING ON CONTACT AREA, MATTE SN 50μ MIN
 - 1-3: 3.0 CONTACT: BRASS (C2680R-H); T=0.20mm TREATMENT: 1.2μ GOLD PLATING ON CONTACT AREA, MATTE SN 50μ MIN
 - 1-4: SHELL: SUS(304); T=0.30mm, TREATMENT: 30μ NI MIN
- ELECTRICAL CHARACTERISTICS:
 - 2.1 CONTACT CURRENT RATING: 1.80A FOR VBUS AND GND 0.25A FOR ALL OTHERS CONTACT
 - 2.2 INSULATION RESISTANCE: 100 MEGAΩ MIN AT 250 VDC
 - 2.3 DIELECTRIC WITHSTANDING VOLTAGE: 500 VAC MIN
 - 2.4 LOW LEVEL CONTACT RESISTANCE: 30mΩ MAX FOR VBUS AND PGND. 50mΩ MAX FOR OTHER CONTACTS.
- MECHANICAL CHARACTERISTICS:
 - 3.1 INSERTION FORCE: 35N MAX
 - 3.2 EXTRACTION FORCE: 10N MIN FOR INITIAL. 8N MIN FOR AFTER TEST
 - 3.3 DURABILITY: 5,000 MATING CYCLES
 - 3.4 OPERATING TEMPERATURE: -55°C TO +85°C
 - 3.5 RECOMMENDED PROCESS CONDITION: WAVE SOLDER. 260° 3~5S
 - 3.6 正位度尺寸以對GAUGE為位，作為IQC進料檢驗標準。

TABLE1:

Y	COLOR	MATERIAL
01	BLACK	HTN
02	BLUE(PANTONE 300C)	PA10T

東莞世華電子有限公司
 SHYH HWA ELECTRONICS CO.,LTD.(DONGGUAN)
 地址: 東莞市塘廈鎮諸佛嶺178工業區
 TEL: 0769-87910020-1 FAX: 0769-87910210

DRAWN BY 彭志婷
 CHECKED BY
 APPROVED BY

ITEM
 PART NO

USB3.0-A母頭沉板式(CH=3.0mm)

CD4511042005-Y

ANGLE PROJECTION
 UNIT mm
 SCALE 1:1
 TOLERANCE .X±0.15
 .XX±0.10 DATE 10/26/2016