

A

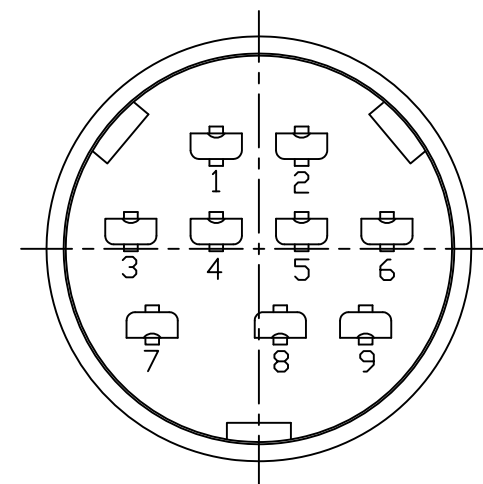
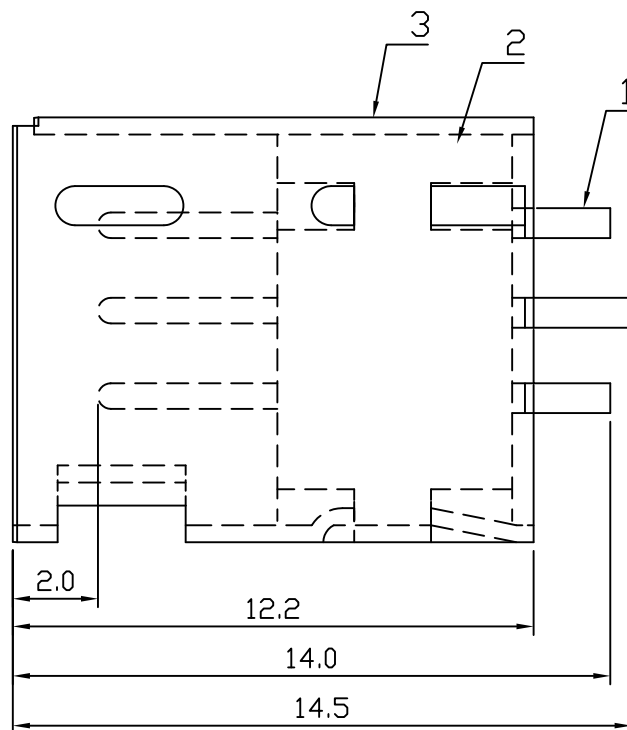
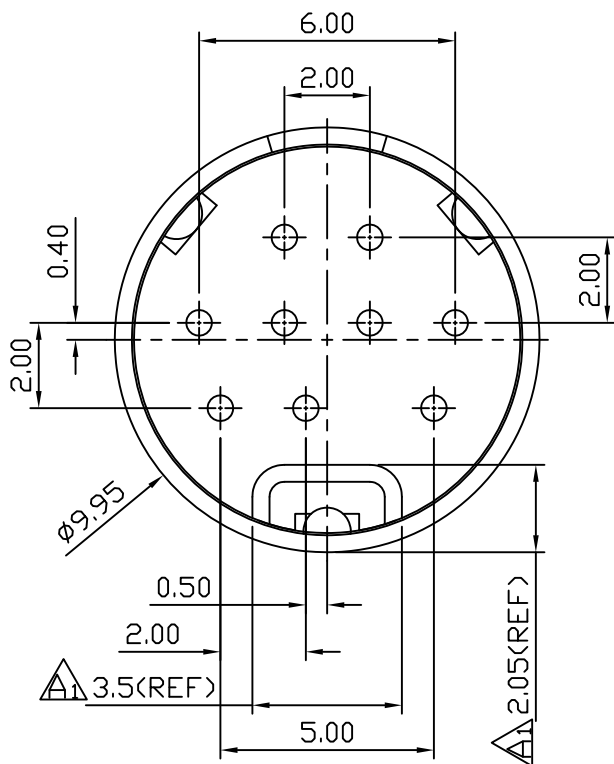
B

C

D

E

F



(焊線面)

BOM:

| 項次 | 名稱 | 數量 | 規格 | 備註 |
|----|-----------|----|--|----|
| 3 | SHELL | 1 | BRASS,T=0.40±0.03MM. NICKEL OR GOLD FLASH PLATED. | |
| 2 | INSULATOR | 1 | PBT+15%GF,UL 94 V-0 | |
| 1 | PIN | 9 | BRASS PLATING: SEE TABLE | |

ELECTRICAL CHARACTERISTICS:
 RATING:100V AC 1A MAX or
 12V DC 2A MAX
 INSULATION RESISTANCE:
 50MΩ MIN at 250V DC
 DIELECTRIC STRENGTH:
 250V AC/1 minute

TABLE

| XX | PLATING | | |
|----|----------------------|----|-------------------|
| 12 | 3u"G./TIN PLATED | | |
| 00 | NICKEL PLATED. | 13 | 5u"G./TIN PLATED |
| 01 | TIN PLATED. | 14 | 10u"G./TIN PLATED |
| 02 | SILVER PLATED. | 15 | 15u"G./TIN PLATED |
| 03 | GOLD FLASH PLATED. | 16 | 20u"G./TIN PLATED |
| 04 | GOLD PLATED 3u" MIN. | 17 | 30u"G./TIN PLATED |
| 11 | G.F./TIN PLATED. | 18 | 50u"G./TIN PLATED |

東莞世華電子有限公司
 SHYH HWA ELECTRONICS CO.,LTD.(DONGGUAN)
 地址:東莞市塘廈鎮諸佛嶺178工業區
 TEL:0769-7910020-1 FAX:0769-7910210

DRAWN BY 張敏華
 CHECKED BY
 APPROVED BY

ITEM 9P手沖方口公頭
 (9P 12.2L銅管 PIN12.0L,12.5L)
 PART NO HM09019XX-3A
 TOLERANCE .XX±0.10
 .X±0.2

ANGLE PROJECTION UNIT MM
 SCALE 5:1
 DATE 06/07/2003
 REVISION
 DESCRIPTION 加標尺寸,舊圖作廢
 DATE 06/07/2003

1

2

3

4

5

6

7

8

A

B

C

D

E

F