

1 2 3 4 5 6 7 8

A

B

C

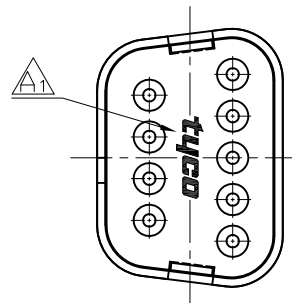
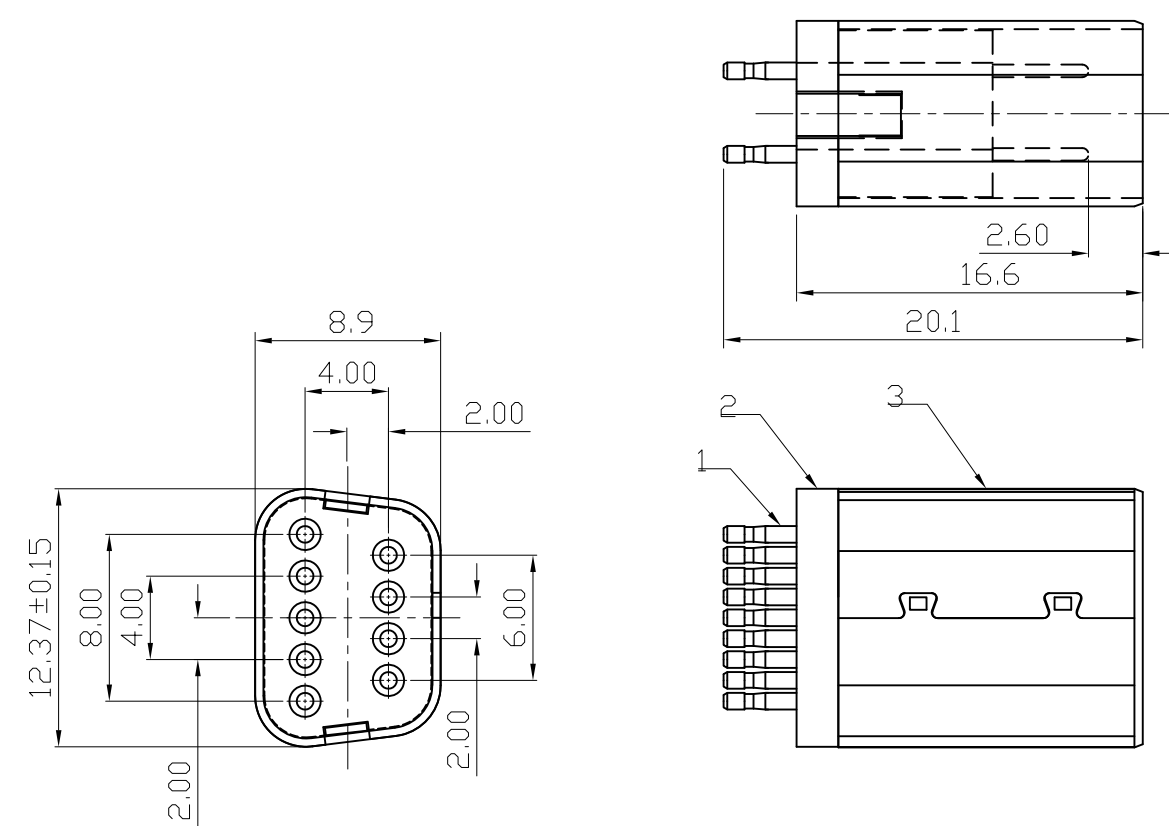
D

A

B

C

D



3	SHELL	1	CD243932005-1	BRASS, T=0.40±0.03mm NICKEL PLATED.	
2	INSULATOR	1	_____	PBT+30%GF, UL 94 V-0 COLOR: BLACK	
1	PIN	9	CD243932005-3	BRASS GOLD FLASH PLATED	
項次	名稱	數量	料號	規格	備註

ELECTRICAL CHARACTERISTICS:
 RATING: 100V AC 1A MAX or
 12V DC 2A MAX
 INSULATION RESISTANCE:
 50MΩ MIN at 250V DC
 DIELECTRIC STRENGTH:
 250V AC/1 minute

F

F

東莞世華電子有限公司 SHYH HWA ELECTRONICS CO.,LTD.(DONGGUAN) 地址: 東莞市塘廈鎮諸佛嶺178工業區 TEL: 0769-7910020-1 FAX: 0769-7910210	DRAWN BY	鄧星平	ITEM	9P方形菱形公頭		ANGLE PROJECTION	UNIT	MM			
	CHECKED BY						SCALE	2.5:1		增加MARK	11/01/2004
	APPROVED BY		PART NO	CD243932005	TOLERANCE	.X±0.2 .XX±0.10	DATE	11/01/2004	REVISION	DESCRIPTION	DATE

1 2 3 4 5 6 7 8