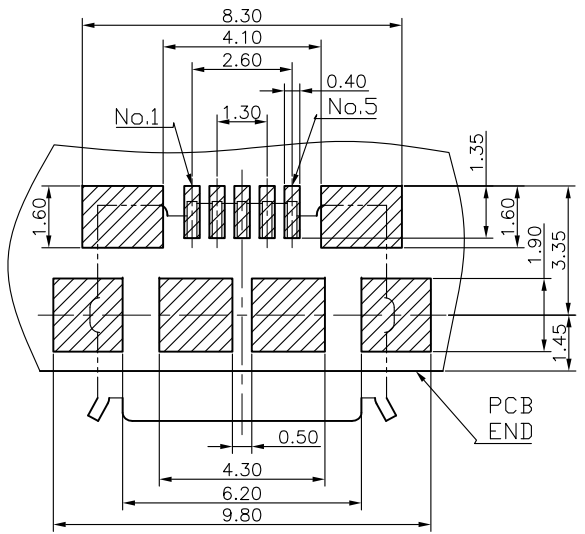
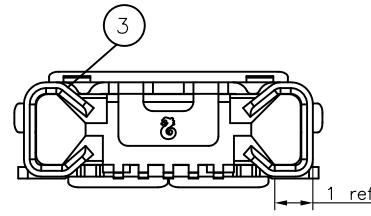
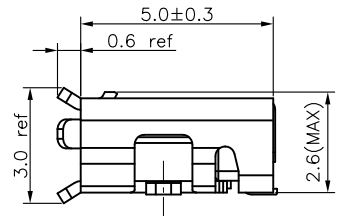
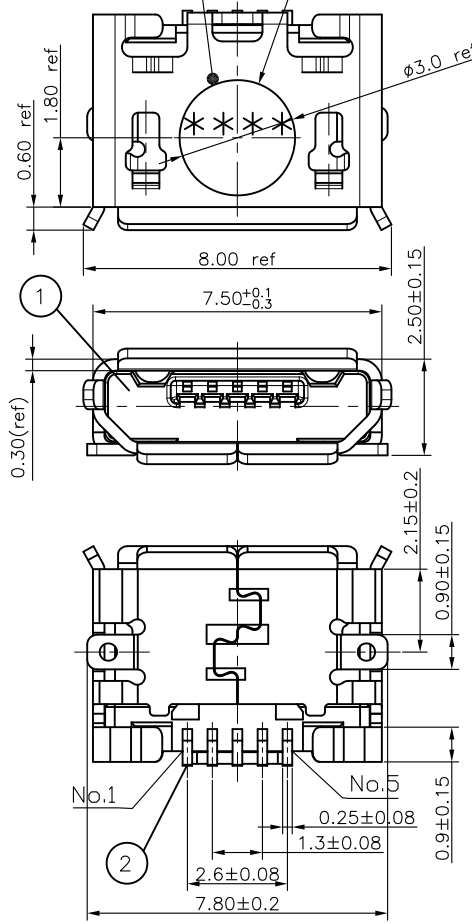


REV	DESCRIPTION	ECN/ECR	DATE	DRAWN BY
△	新訂圖面	—	07/08/2015	唐忠洪
△	修改圖面與實物一致及電鍍規格	ECR	12/25/2015	彭志婷

NOTES:
 1.MATERIAL:
 1-1:HOUSING:LCP(3040G/E6808/E6006);UL 94V-0, COLOR:BLACK
 1-2:TERMINAL:BRASS(C2680-H);T=0.15±0.05mm TREATMENT:
 2.1.Gold FLASH ON CONTACT AREA
 Gold FLASH ON SOLDERING AREA
 30u" MIN NICKEL UNDER PLATING OVERALL
 1-3:SHELL:SUS(304);T=0.30±0.05mm,TREATMENT:80u" MATTE TIN
 2.SPECIFICATIONS:
 2-1.CONTACT RESISTANCE:30mΩ MAX
 2-2.INSULATION RESISTANCE:1000MΩ MIN.
 2-3.DIELECTRIC WITHSTANDING VOLTAGE:
 100V AC 60HZ 1MINUTE.
 2-4.MATING AND UNMATING FORCE:
 MATING FORCE:35N MAX/UNMATING FORCE:8N MIN.
 2-5.DURABILITY:10000 CYCLES.

PICK&PLACE AREA D/C(年/周/星期)

A
B
C
D
E



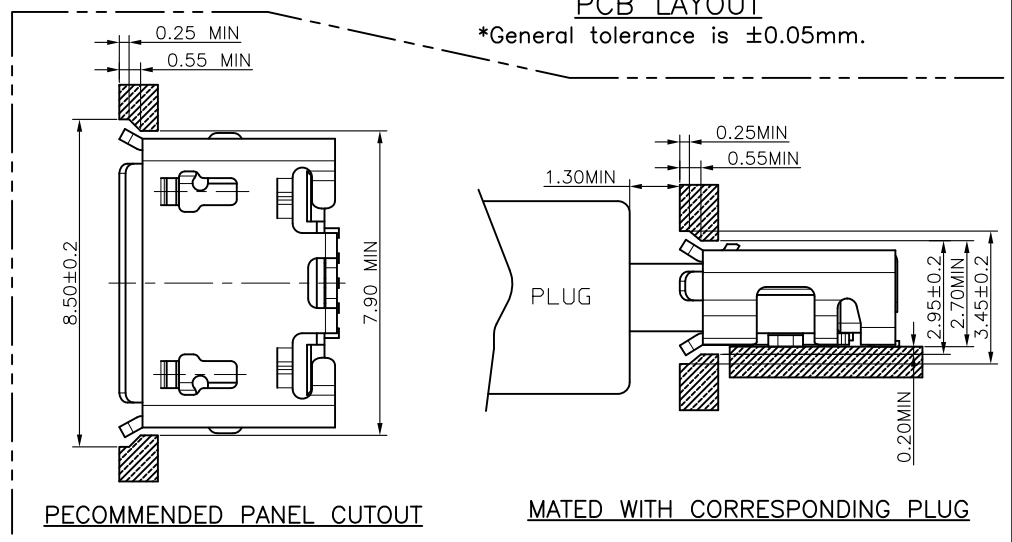
PCB LAYOUT

*General tolerance is ±0.05mm.

TABLE: △

5μ"	CD0001042003	-03	30μ"	CD0001042003	-06
3μ"	CD0001042003	-02	15μ"	CD0001042003	-05
G/F	CD0001042003	-01	10μ"	CD0001042003	-04
AU PLATING	PART NUMBER	-XX	AU PLATING	PART NUMBER	-XX

Part Number	AU
2UB1676-000111F	30u"



F

東莞世華電子有限公司
 SHYH HWA ELECTRONICS CO.,LTD.(DONGGUAN)
 地址: 東莞市塘廈鎮諸佛嶺178工業區
 TEL: 0769-87910020-1 FAX: 0769-87910210

DRAWN BY	彭志婷	ITEM	
CHECKED BY		PART NO	
APPROVED BY			

Micro usb 5P B type母座 有檔位
 SMT全貼有卷邊

ANGLE PROJECTION	UNIT	mm
	SCALE	Fit
TOLERANCE	.X±0.20 .XX±0.10	DATE
		12/25/2015

A
B
C
D
E
F