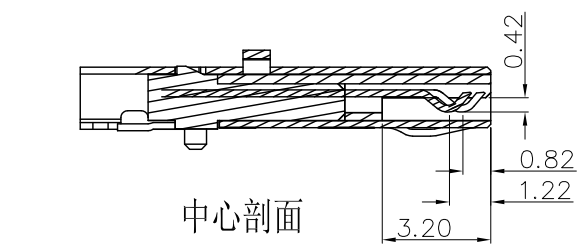
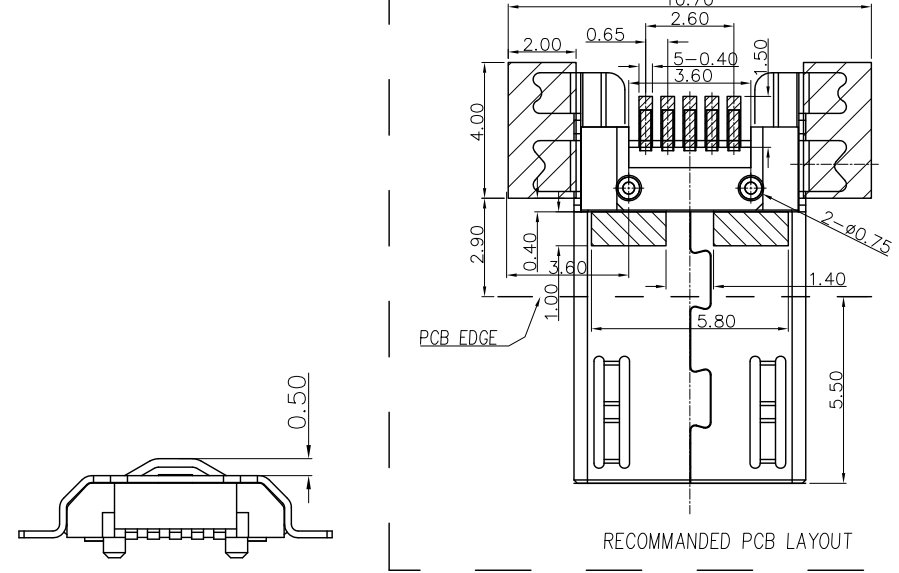
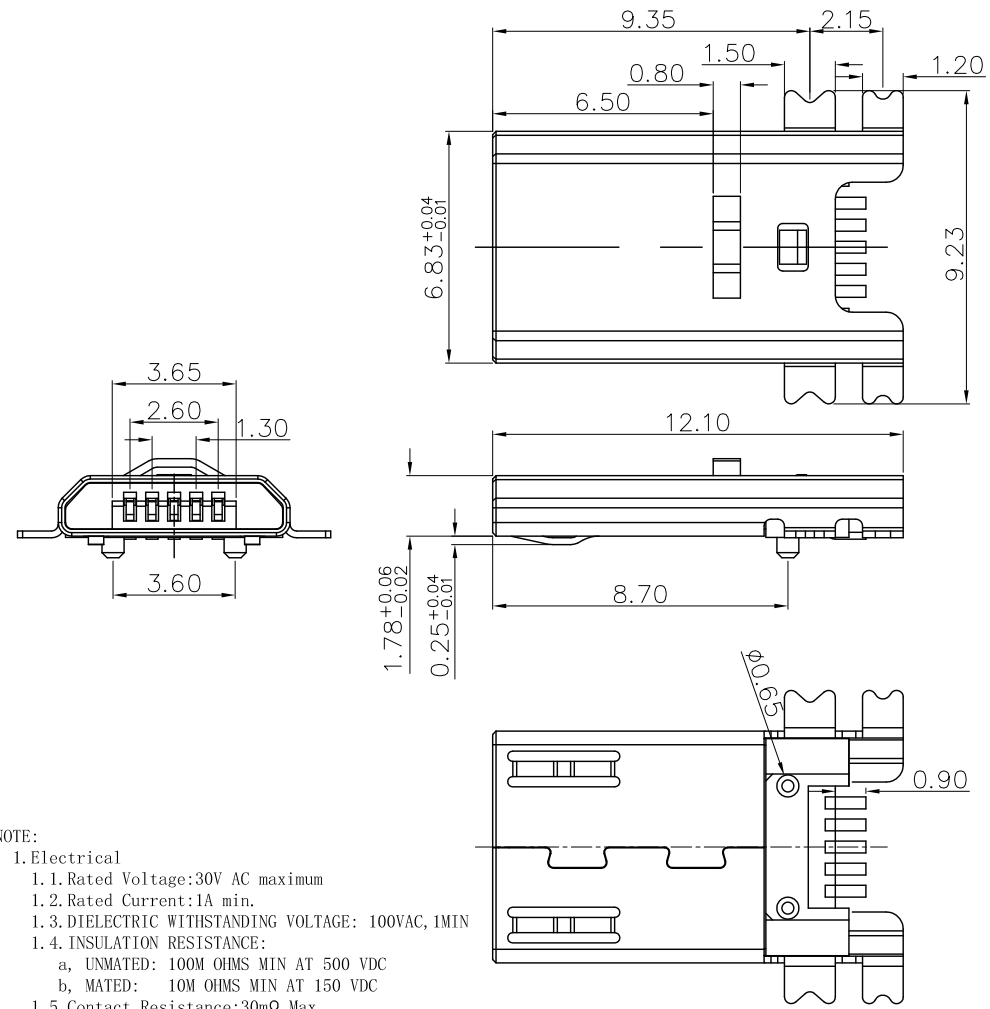


REV	DESCRIPTION	ECN/ECR	DATE	DRAWN BY
△△	新訂圖面	—	03/16/2014	彭志婷

A  
B  
C  
D  
E  
F

A  
B  
C  
D  
E  
F



NOTE:

- Electrical
  - Rated Voltage: 30V AC maximum
  - Rated Current: 1A min.
  - DIELECTRIC WITHSTANDING VOLTAGE: 100VAC, 1MIN
  - INSULATION RESISTANCE:
    - UNMATED: 100M OHMS MIN AT 500 VDC
    - MATED: 10M OHMS MIN AT 150 VDC
  - Contact Resistance: 30m $\Omega$  Max.
- Mechanical
  - Mating Force Max: 3.70kgf max.
  - Removal Force Min: 1.0kgf min.
  - Durability: 0.81~2.05kgf after 10,000 cycles at 100 $\pm$ 50 cycles per hour.
  - Ambient Temperature: -30 $^{\circ}$  C To +80 $^{\circ}$  C

BOM:

項次	名稱	材 質	表 面	數量
4	外壳	SUS201, T=0.20 $\pm$ 0.03	鍍可焊鍍	1
3	前盖	LCP UL 94V-0	黑色	1
2	胶心	LCP UL 94V-0	黑色	1
1	PIN	C5191, T=0.20 $\pm$ 0.02	鍍前金后錫	5

<p>東莞世華電子有限公司 SHYH HWA ELECTRONICS CO., LTD. (DONGGUAN) 地址: 東莞市塘廈鎮諸佛嶺178工業區 TEL: 0769-87910020-1 FAX: 0769-87910210</p>	DRAWN BY	彭志婷	ITEM	MICRO USB 5P貼板公頭			ANGLE PROJECTION	UNIT	mm
	CHECKED BY						SCALE	1:1	
	APPROVED BY		PART NO	CD4521042003-WLL05	TOLERANCE	.X $\pm$ 0.30 .XX $\pm$ 0.20	DATE	03/16/2014	

1 2 3 4 5 6 7 8