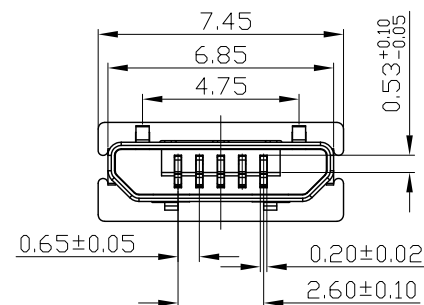
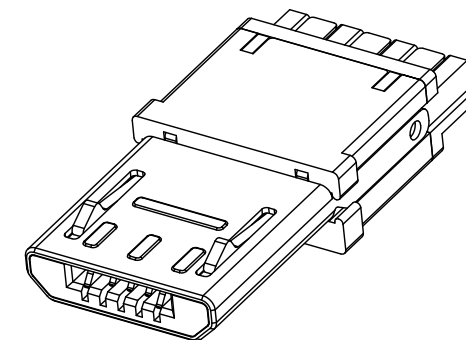
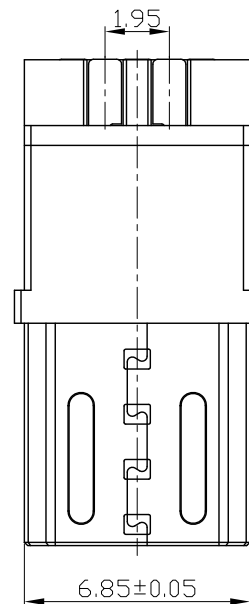
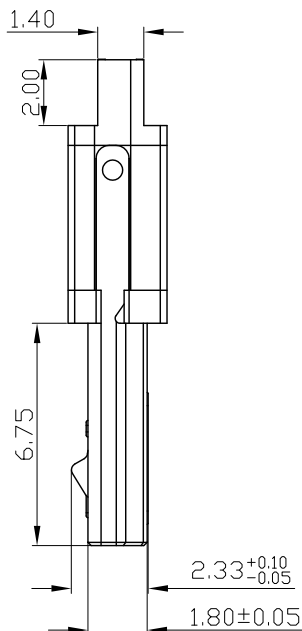
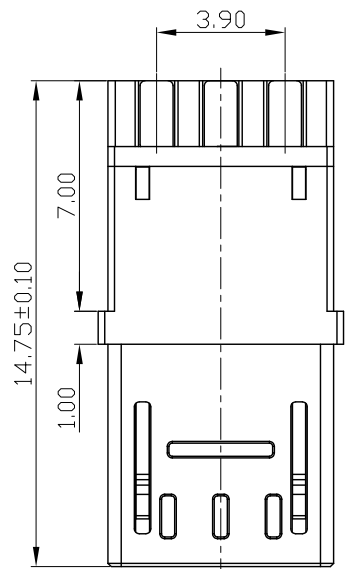
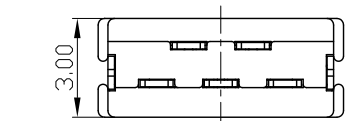


△	更換圖框及增加BOM表	ECR	05/29/2012	彭志婷
△	修改插拔力標準	ECR	12/27/2011	彭志婷
REV	DESCRIPTION	ECN/ECR	DATE	DRAWN BY



SPECIFICATIONS:

ELECTRICAL:

1. Current rating: 1A
2. INSULATION RESISTANCE: 100MΩ Min at 250V DC
3. CONTACT RESISTANCE: 30MΩ Max.
4. DIELECTRIC WITHSTANDING VOLTAGE: 250V AC.

MECHANICAL:

1. MATING FORCE: 3.57kgf(Max).
2. WITHDRAWAL FORCE: 0.71kgf(Min).
3. Durability: 5000cycles

ENVIRONMENTAL:

1. OPERATING TEMPERATURE: -30°C TO+80°C.

Build of material: △

TABLE1:

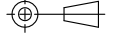
XX	PLATED
11	6.F./TIN PLATED前金後錫
12	3U"G./TIN PLATED前金後錫
13	5U"G./TIN PLATED前金後錫
14	10u"G./TIN PLATED前金後錫
15	15U"G./TIN PLATED前金後錫
16	20U"G./TIN PLATED前金後錫
17	30U"G./TIN PLATED前金後錫
18	50U"G./TIN PLATED前金後錫

項次	料號	品名	數量	規格	備註
6	CD0001002004-1	MICRO USB 5PIN 公座加長型-膠殼	1	PBT, UL94 V-0, BLACK	
5	CD0001002004-2	MICRO USB 5PIN 公座加長型-後塞	1	LCP, UL94 V-0, BLACK	
4	CD0001002004-3	MICRO USB 5PIN 公座加長型-外殼	1	SUS, T=0.20mm, 鍍50U"NI	
3	CD0001002004-4XX	MICRO USB 5PIN 公座加長型-長PIN	2	C2680, T=0.20mm, SEE TABLE	
2	CD0001002004-5XX	MICRO USB 5PIN 公座加長型-短PIN	3	C2680, T=0.20mm, SEE TABLE	
1	CD0001002004-6	MICRO USB 5PIN 公座加長型-卡鉤	1	SUS, T=0.40mm	


**東莞世華電子有限公司**  
 SHYH HWA ELECTRONICS CO., LTD. (DONGGUAN)  
 地址: 東莞市塘廈鎮諸佛嶺178工業區  
 TEL: 0769-87910020-1 FAX: 0769-87910210

DRAWN BY 彭志婷  
 CHECKED BY  
 APPROVED BY

ITEM MICRO USB 5PIN 公座加長型  
 PART NO CD0001002004-WLE290XX

ANGLE PROJECTION  
  
 UNIT mm  
 SCALE 2.5:1  
 TOLERANCE X±0.25, XX±0.15  
 DATE 05/29/2012