

1 2 3 4 5 6 7 8

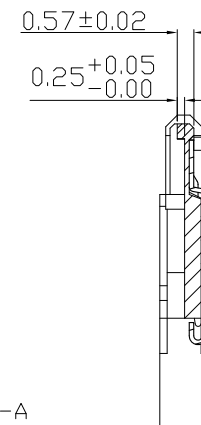
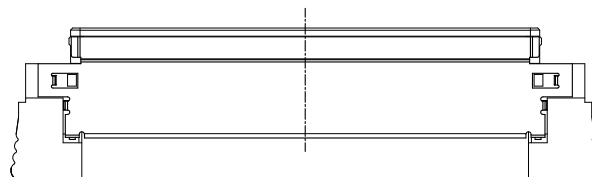
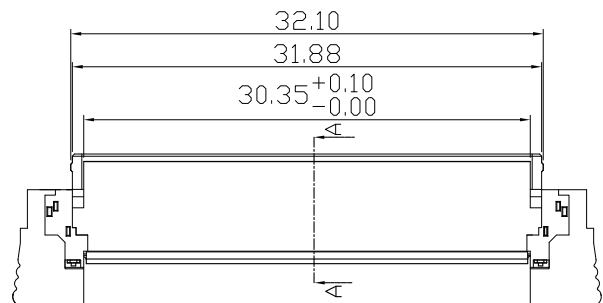
A

A



B

B



SECTION A-A

SECTION A-A
SCALE 2:1

C

C

D

D

SPECIFICATIONS:

1.ELECTRICAL:

- 1-1.INSULATION RESISTANCE:
100MΩ Min at 500V DC
- CONTACT RESISTANCE:5Ω.
- 1-2.CONTACT RESISTANCE:40mΩ Max.
- 1-3.DIELECTRIC WITHSTANDING VOLTAGE:
500V AC/0.1 Second.

2.MECHANICAL:

- 2-1 MATING FORCE: 2.8kgf(Max).
- 2-2 WITHDRAWAL FORCE: 5.0Kgf(Min).

3.ENVIRONMENTAL:

- OPERATING TEMPERATURE: -40°C TO +85°C.
- 4.Au 8u" min ;Ni 50u" min ;Sn 50u" min.

TABLE:

X	顏色
1	黑色
3	白色

Build of material:

3	30P LOCK線端公座(FDAC-NS3-30P)-外殼上蓋	1	DP030952002-3	SUS(301) T=0.15±0.02mm	/	
2	30P LOCK線端公座(FDAC-NS3-30P)-外殼下蓋	1	DP030952002-2	SUS(301) T=0.20±0.02mm	/	
1	30P LOCK線端公座-膠體(無PIN無LOCK)	1	DP03096200X-2	PA46(GF REINFORCED), UL94 V-0;	/	
NO.	PART NAME	QTY	PART NO.	MATERIAL	FINISH	NOTE

E

E

F

F

東莞世華電子有限公司
SHYH HWA ELECTRONICS CO.,LTD.(DONGGUAN)
地址:東莞市塘廈鎮諸佛嶺178工業區
TEL:0769-7910020-1 FAX:0769-7910210

DRAWN BY 黃芳
CHECKED BY
APPROVED BY

ITEM 30P LOCK線端公座
(無PIN無LOCK)
PART NO DP03096200X(SEE TABLE)
TOLERANCE .X±0.2
.XX±0.10

ANGLE PROJECTION
 UNIT mm
SCALE 2.5:1
DATE 04/15/2007

新訂圖面
REVISION DESCRIPTION DATE
04/15/2007

1 2 3 4 5 6 7 8