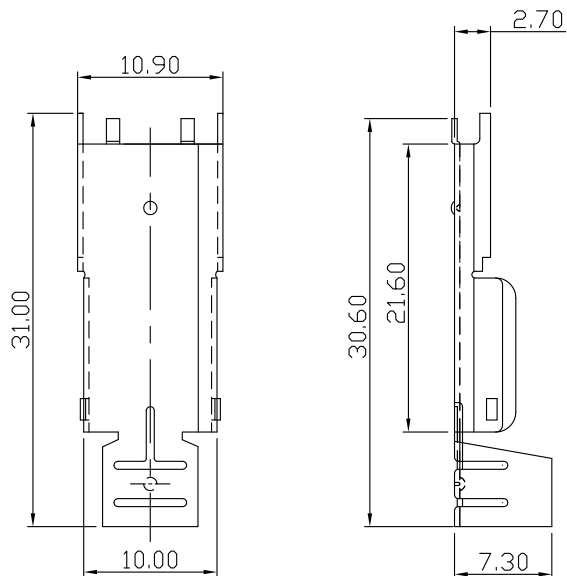
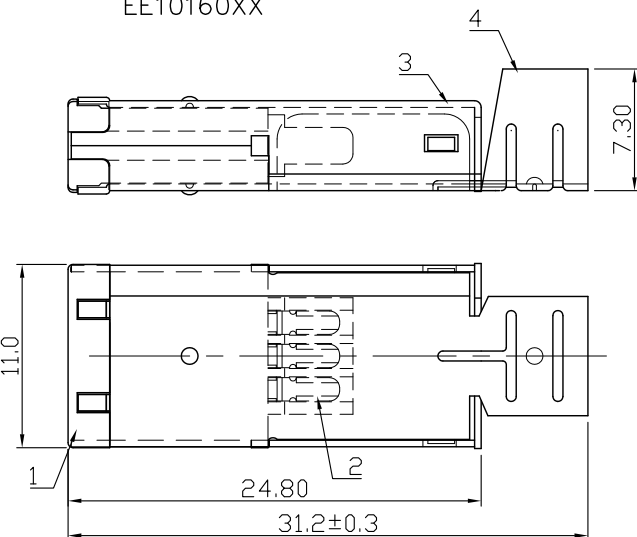
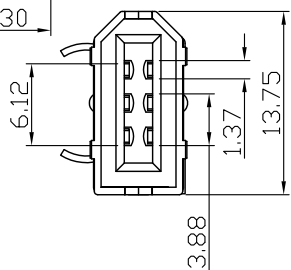


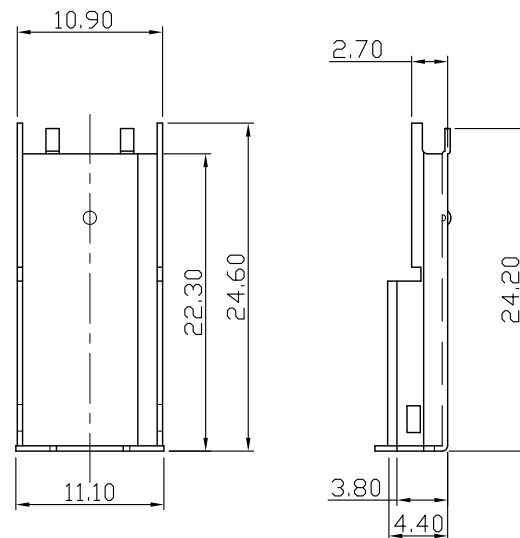
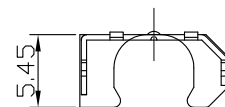
EE10160XX



4: EE1136001-1



EE10360XX
(SCALE 2.5:1)



3: EE1136001-2

SPECIFICATION:

MECHAICAL:

MATING & UNMATING FORCE: 1Kgf~4Kgf.

DURABILITY: 1500 CYCLES AT 500 CYCLES/hr.

ELECTRICAL:

CONTACT RESISTANCE: 30m ΩMAX.

INSULATION RESISTANCE: 100m Ω MIN AT 500V DC.

TABLE:

XX	PLATING	14	10U"G./TIN PLATED前金後錫
09	GLOD PLATED 30u" MIN.	15	15U"G./TIN PLATED前金後錫
10	GLOD PLATED 50u" MIN.	16	20U"G./TIN PLATED前金後錫
11	G.F./TIN PLATED前金後錫	17	30U"G./TIN PLATED前金後錫
12	3U"G./TIN PLATED前金後錫	18	50U"G./TIN PLATED前金後錫
13	5U"G./TIN PLATED前金後錫	20	30U"G./G.F PLATED前金後金

項次	名稱	料號	數量	規格	備註
4	IEEE 1394 6P公頭-下護蓋	EE1136001-1	1	SPCC,T=0.40±0.03MM NICKEL PLATED.	
3	IEEE 1394 6P公頭-上護蓋	EE1136001-2	1	SPCC,T=0.40±0.03MM NICKEL PLATED.	
2	IEEE 1394 6P公頭-PIN	EE11160XX	6	PHOSPHOR BRONZE,T=0.30±0.03MM SEE TABLE.	
1	IEEE 1394 6P公頭-膠心	EE11260YY	1	PBT+15%GF,UL 94 V-0 BLACK OR WHITE	

東莞世華電子有限公司
SHYH HWA ELECTRONICS CO.,LTD.(DONGGUAN)

地址: 東莞市塘廈鎮諸佛嶺178工業區
TEL: 0769-7910020-1 FAX: 0769-7910210

DRAWN BY	ITEM	ANGULAR PROJECTION	UNIT	MM					
CHECKED BY	IEEE 1394 6P公頭 (三件式)		SCALE	2:1					
APPROVED BY	PART NO	TOLERANCE	DATE	02/24/2002	REVISION	DESCRIPTION	DATE		
	EE10360XX	X.XX±0.20							