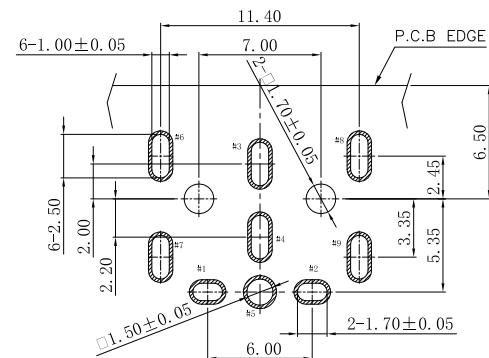
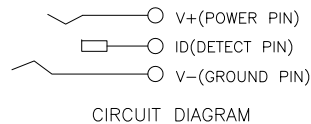
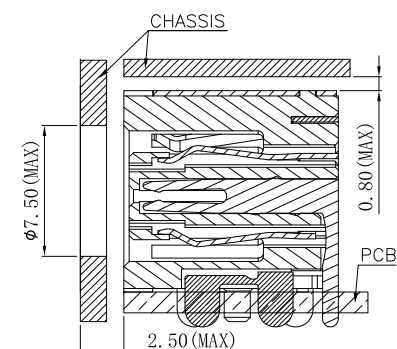
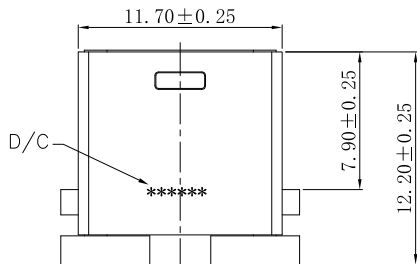


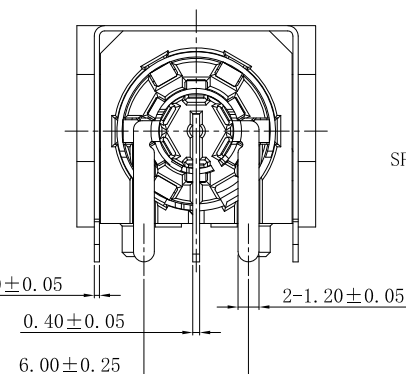
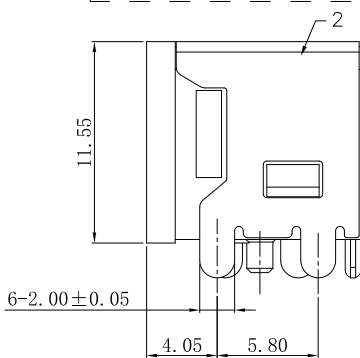
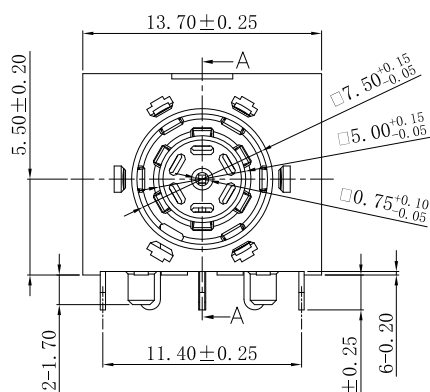
RoHS Compliant **Halogen Free**

REV	DESCRIPTION	ECN/ECR	DATE	DRAWN BY
△△	新訂圖面	—	07/13/2020	左胜胜



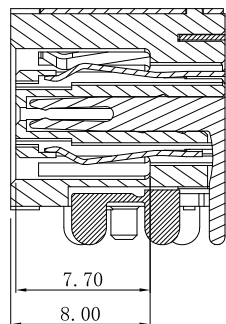
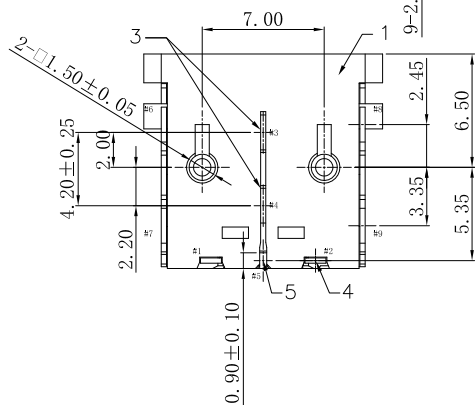
RECOMENDED PCB LAYOUT
TOLERANCE: $\pm 0.05mm$
RECOMENDED PCB THICKNESS: 1.20 ± 0.05

OVERLOADING TEST
RECOMMENDED MATING CONDITION BETWEEN
CONNECTOR AND CHASSIS

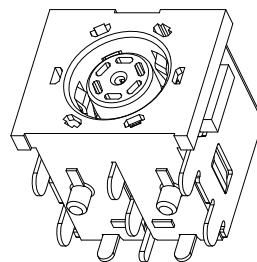


SPECIFICATION

- ELECTRICAL CHARACTERISTICS:
 - CURRENT RATING: POWER PIN 15A, ID PIN: 1A.
 - VOLTAGE RATING: 20V.
 - DIELECTRIC WITHSTANDING VOLTAGE: 150V AC FOR 1MINUTE.
 - INSULATION RESISTANCE: 100M OHMS MIN.
 - CONTACT RESISTANCE: INITIAL: 20m OHMS MAX. AFTER 8000 CYCLES: 30m OHMS MAX.
- MECHANICAL CHARACTERISTICS:
 - DURABILITY (MATING/UNMATING CYCLES): 8000 CYCLES.
 - MATING FORCE: 1.00~2.50 kgf (INITIAL), 1.00~2.50 kgf (AFTER LIFE TEST)
 - UNMATING FORCE: 1.00~2.50 kgf (INITIAL), 1.00~2.50 kgf (AFTER LIFE TEST)
- ENVIRONMENTAL CHARACTERISTICS:
 - OPERATING TEMPERATURE AND HUMIDITY RANGE: $-40^{\circ}C$ TO $+85^{\circ}C$, 85% RH OR LESS.
 - TEMPERATURE RISE NOT EXCEED $30^{\circ}C$.



SECTION A-A



PART NO:
MJDC-355050D1HX

GOLD PLATING
1- GOLD FLASH
5- Au 30u"
6- Au 50u"

TABLE

Part Number	XX	AU	5 I.D.PIN #5	1 PHOSPHOR BRONZE (C5210)(T=0.40)	SEE TABLE AU/30u" TIN MIN
CD4651092004-XX	01	1u"	4 POWER #1 #2	1 (C7035)(T=0.30)	SEE TABLE AU/80u" NI MIN
			3 GROUND #3 #4	1	
	02	30u"	2 SHELL #6 #7 #8 #9	1 SUS(201)(T=0.30)	50u" NI MIN
			1 HOUSING	1 LCP	BLACK
03	50u"	No.	DESC	QTY	TREATMENT

東莞世華電子有限公司
SHYH HWA ELECTRONICS CO.,LTD.(DONGGUAN)
地址:東莞市塘廈鎮諸佛嶺178工業區
TEL:0769-87910020-1 FAX:0769-87910210

DRAWN BY 左胜胜
CHECKED BY
APPROVED BY
ITEM
PART NO

DC JACK CH5.5mm(明環專用)

CD4651092004-XX

ANGLE PROJECTION
UNIT mm
SCALE 1:1
TOLERANCE .X \pm 0.30 .XX \pm 0.20
DATE