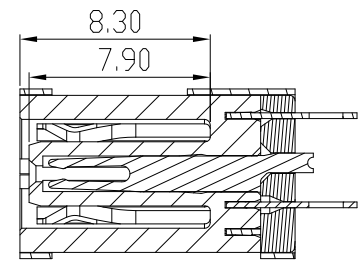
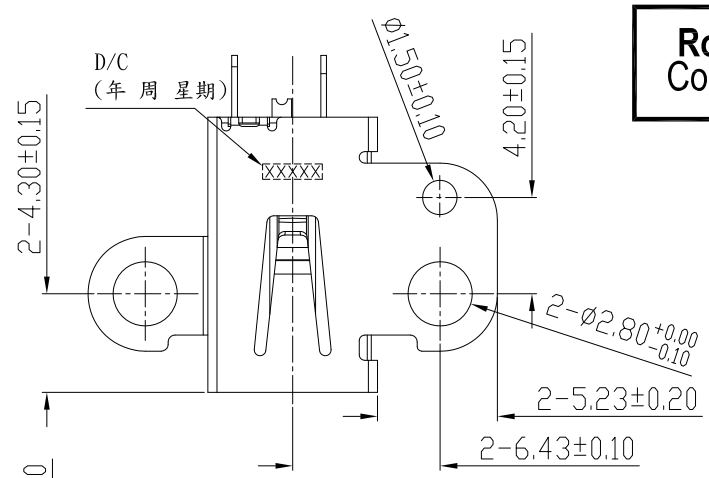
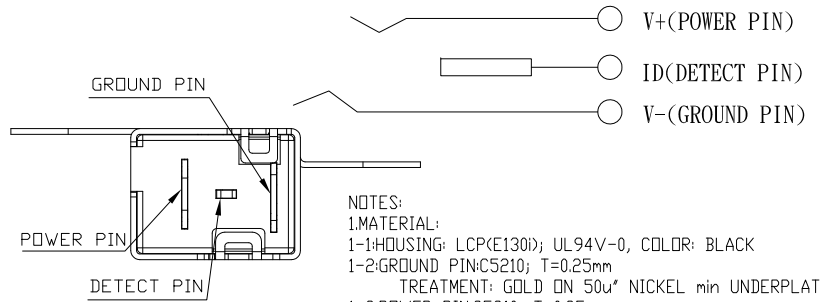
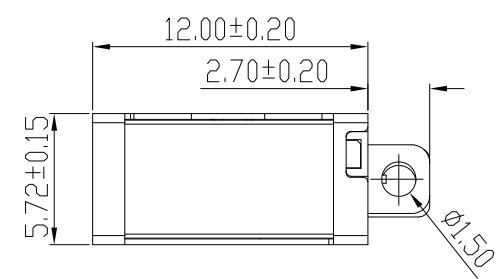
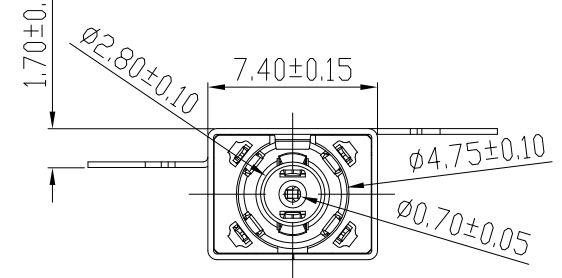


REV	DESCRIPTION	ECN/ECR	DATE	DRAWN BY
A0	新訂圖面		07/31/2020	陳俊武
A1	修改定位孔尺寸	ECR	10/21/2020	陳俊武

RoHS Compliant **Halogen Free**



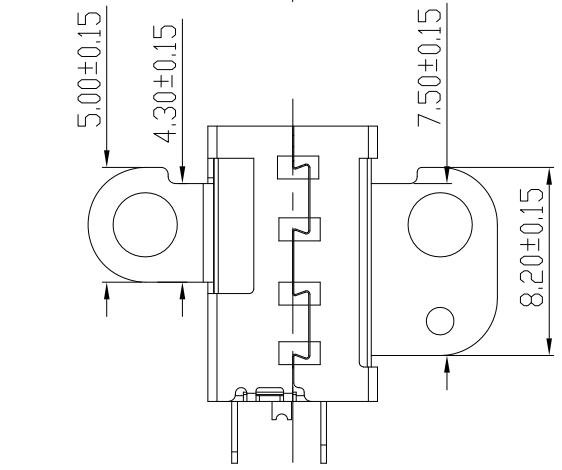
D/C 鐳射 說明: 20273
 星期三
 第27周
 2020年



NOTES:
 1.MATERIAL:
 1-1:HOUSING: LCP(E130i); UL94V-0, COLOR: BLACK
 1-2:GROUND PIN:C5210; T=0.25mm
 TREATMENT: GOLD ON 50u" NICKEL min UNDERPLATED
 1-3:POWER PIN:C5210; T=0.25mm
 TREATMENT: GOLD ON 50u" NICKEL min UNDERPLATED
 1-4:DETECT PIN:PHOSPHOR BRONZE(C5210R-EH);T=0.35mm
 TREATMENT:GOLD ON 50u" NICKEL min UNDERPLATED
 1-5:SHELL: SUS(201); T=0.25mm, TREATMENT: 50u" NICKEL
 1-6:STOPPLE: LCP(E130i); UL94V-0, COLOR: BLACK
 SPECIFICATION:
 2. ELECTRICAL CHARACTERISTICS:
 1.1 RATING: SEE TABLE
 1.2 INSULATION RESISTANCE 50MHMS MIN AT 500V DC AFTER 1 MINUTE
 1.3 DIELECTRIC WITHSTANDING VOLTAGE: 500V AC FOR 1 MINUTE,
 1.4 CONTACT RESISTANCE: 30 mΩ MAX.
 3. MECHANICAL CHARACTERISTICS:
 2.1 INSERTION FORCE:0.7-2.0 KgF MAX
 EXTRACTION FORCE:0.6-2.0 KgF
 2.2 DURABILITY(INSERTION/EXTRACTION CYCLES): 5000 CYCLES
 4. REMARK: MOISTURE SENSITIVE DEVICE MSL6-AFTER PACKAGING HAS BEEN OPENED 8 HOURS,PARTS MUST BE BAKED FOR MIN 5. DAYS AT 40°C & 5% RH

TABLE:

PART NO. (客戶)	RATING	PART NO.	XX	TERMINAL MATERIAL
MJDC-360148C1H1	20V/8A	CD4651092005-XX	01	GROUND PIN & POWER PIN: C5210 GOLD FLASH ON CONTACT AREA
MJDC-360148C1H5	20V/8A		02	GROUND PIN & POWER PIN: C5210 Au 30u" ON CONTACT AREA
MJDC-360148C1H7	20V/8A		03	GROUND PIN & POWER PIN: C5210 Au 5u" ON CONTACT AREA



東莞世華電子有限公司
 SHYH HWA ELECTRONICS CO.,LTD.(DONGGUAN)
 地址: 東莞市塘廈鎮諸佛嶺178工業區
 TEL: 0769-7910020-1 FAX: 0769-7910210

DRAWN BY	陳俊武	ITEM	DC JACK 焊線式 CH 1.7		ANGLE PROJECTION	UNIT	mm
CHECKED BY			PART NO	CD4651092005-XX	TOLERANCE		SCALE
APPROVED BY						.X±0.30 .XX±0.20	DATE