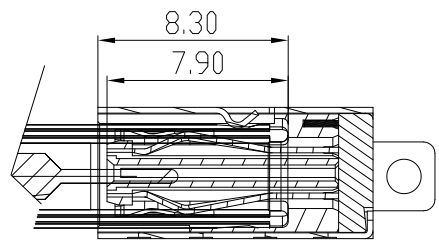
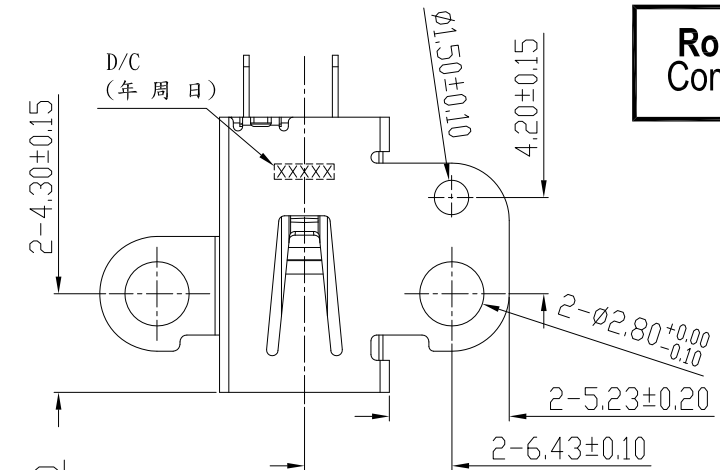
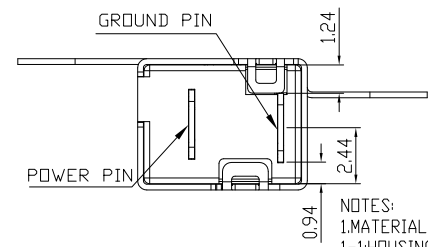
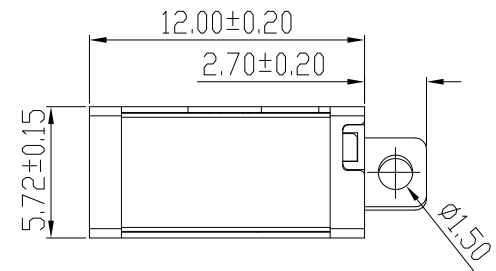
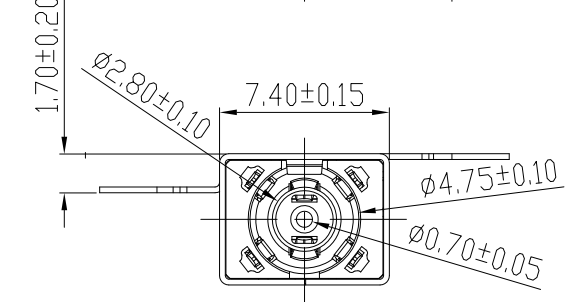
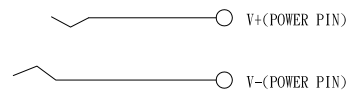


REV	DESCRIPTION	ECN/ECR	DATE	DRAWN BY
	新訂圖面	—	10/21/2020	陳俊武

RoHS Compliant
Halogen Free



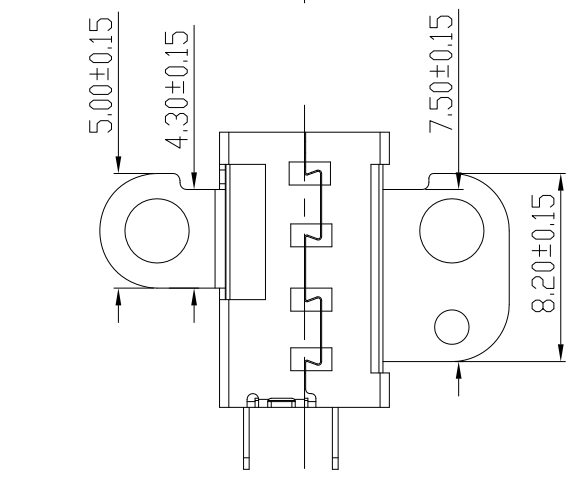
D/C 鐳射 說明: 20273
星期三
第27周
2020年



NOTES:
1. MATERIAL:
1-1: HOUSING: LCP(E130i); UL94V-0, COLOR: BLACK
1-2: GROUND PIN: C5210; T=0.25mm
TREATMENT: GOLD ON 50μ" NICKEL min UNDERPLATED
1-3: POWER PIN: C5210; T=0.25mm
TREATMENT: GOLD ON 50μ" NICKEL min UNDERPLATED
1-4: SHELL: SUS(201); T=0.25mm, TREATMENT: 50μ" NICKEL
1-5: STOPPLE: LCP(E130i); UL94V-0, COLOR: BLACK
SPECIFICATION:
2. ELECTRICAL CHARACTERISTICS:
1.1 RATING: SEE TABLE
1.2 INSULATION RESISTANCE 50MOHMS MIN AT 500V DC AFTER 1 MINUTE
1.3 DIELECTRIC WITHSTANDING VOLTAGE: 500V AC FOR 1 MINUTE,
1.4 CONTACT RESISTANCE: 30 mΩ MAX.
3. MECHANICAL CHARACTERISTICS:
2.1 INSERTION FORCE: 0.7-2.0 KgF MAX
EXTRACTION FORCE: 0.6-2.0 KgF
2.2 DURABILITY (INSERTION/EXTRACTION CYCLES): 5000 CYCLES
4. REMARK: MOISTURE SENSITIVE DEVICE MSL6-AFTER PACKAGING HAS BEEN OPENED 8 HOURS, PARTS MUST BE BAKED FOR MIN 5. DAYS AT 40°C & 5% RH

TABLE:

PART NO. (客戶)	RATING	PART NO.	XX	TERMINAL MATERIAL
MJDC-351148C1H1	20V/8A		01	GROUND PIN & POWER PIN: C5210 GOLD FLASH ON CONTACT AREA
MJDC-351148C1H5	20V/8A	CD4651092007-XX	02	GROUND PIN & POWER PIN: C5210 Au 30μ" ON CONTACT AREA
MJDC-351148C1H7	20V/8A		03	GROUND PIN & POWER PIN: C5210 Au 5μ" ON CONTACT AREA



東莞世華電子有限公司
SHYH HWA ELECTRONICS CO.,LTD.(DONGGUAN)
地址: 東莞市塘廈鎮諸佛嶺178工業區
TEL: 0769-7910020-1 FAX: 0769-7910210

DRAWN BY	陳俊武	ITEM	DC JACK 焊線式 CH 1.7 (無ID PIN)	
CHECKED BY				
APPROVED BY		PART NO	CD4651092007-XX	TOLERANCE

ANGLE PROJECTION	UNIT	mm
	SCALE	1:1
.X±0.30 .XX±0.20	DATE	10/21/2020