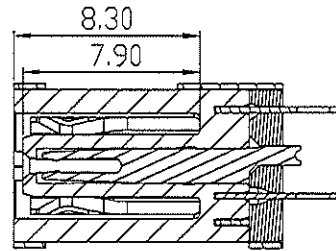
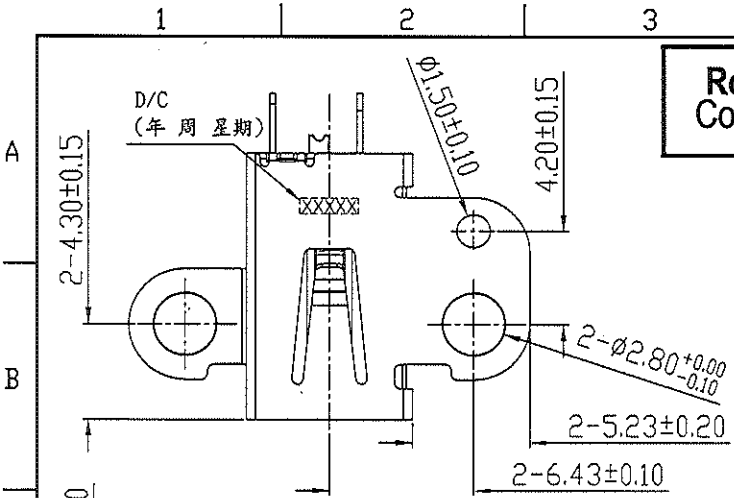


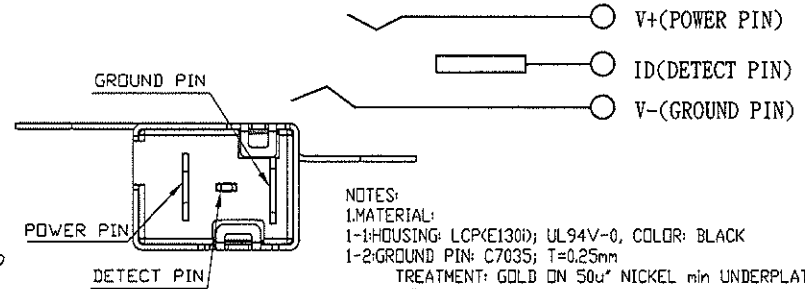
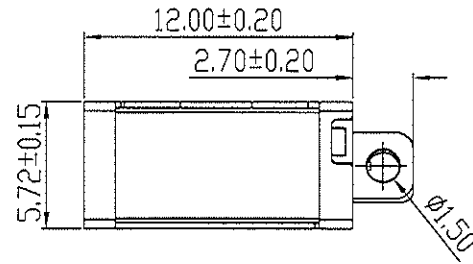
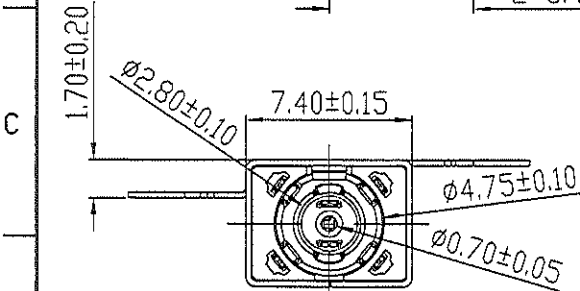
| | | | | |
|-----|-------------|---------|------------|----------|
| REV | DESCRIPTION | ECN/ECR | DATE | DRAWN BY |
| △ | 新訂圖面 | — | 10/21/2020 | 陳俊武 |

RoHS Compliant
Halogen Free



D/C 鐳射說明: 20273

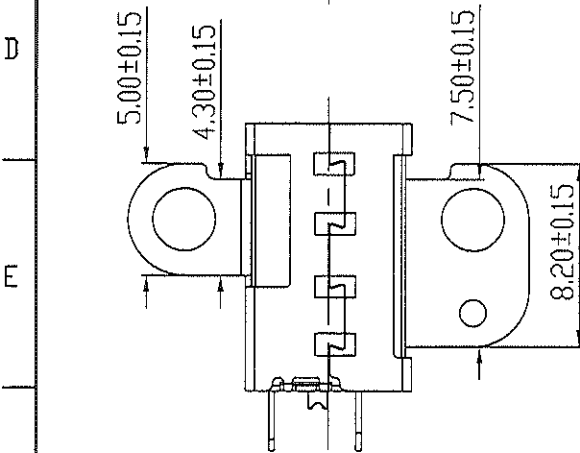
星期三
第27周
2020年



- NOTES:
- MATERIAL:
 - 1-1:HOUSING: LCP(E130D); UL94V-0, COLOR: BLACK
 - 1-2:GROUND PIN: C7035; T=0.25mm
TREATMENT: GOLD ON 50u" NICKEL min UNDERPLATED
 - 1-3:POWER PIN: C7035; T=0.25mm
TREATMENT: GOLD ON 50u" NICKEL min UNDERPLATED
 - 1-4:DETECT PIN:PHOSPHOR BRONZE(CS210R-EH);T=0.35mm
TREATMENT:GOLD ON 50u" NICKEL min UNDERPLATED
 - 1-5:SHELL: SUS(201); T=0.25mm, TREATMENT: 50u" NICKEL
 - 1-6:STOPPLE: LCP(E130D); UL94V-0, COLOR: BLACK
 - SPECIFICATION:
 - ELECTRICAL CHARACTERISTICS:
 - RATING: SEE TABLE
 - INSULATION RESISTANCE 50MHMS MIN AT 500V DC AFTER 1 MINUTE
 - DIELECTRIC WITHSTANDING VOLTAGE: 500V AC FOR 1 MINUTE.
 - CONTACT RESISTANCE: 30 mΩ MAX.
 - MECHANICAL CHARACTERISTICS:
 - INSERTION FORCE:0.7-2.0 Kgf MAX
EXTRACTION FORCE:0.6-2.0 Kgf
 - DURABILITY(INSERTION/EXTRACTION CYCLES): 5000 CYCLES
 - REMARK: MOISTURE SENSITIVE DEVICE MSL6-AFTER PACKAGING HAS BEEN OPENED 8 HOURS,PARTS MUST BE BAKED FOR MIN 5. DAYS AT 40°C & 5% RH

TABLE:

| PART NO. (客戶) | RATING | PART NO. | XX | TERMINAL MATERIAL |
|-----------------|---------|-----------------|----|---|
| MJDC-360048C1H1 | 20V/12A | | 01 | GROUND PIN & POWER PIN: C7035 GOLD FLASH ON CONTACT AREA |
| MJDC-360048C1H5 | 20V/12A | CD4651092009-XX | 02 | GROUND PIN & POWER PIN: C7035 Au 30u" ON CONTACT AREA |
| MJDC-360048C1H7 | 20V/12A | | 03 | GROUND PIN & POWER PIN: C7035 Au 5u" ON CONTACT AREA |



| | | | | | | | | | |
|--|-------------|-----|------|------------------------|-----------------|------------------|---------------------|-------|------------|
| 東莞世華電子有限公司 SHYH HWA ELECTRONICS CO.,LTD.(DONGGUAN) 地址:東莞市塘廈鎮諸佛嶺178工業區 TEL:0769-7910020-1 FAX:0769-7910210 | DRAWN BY | 陳俊武 | ITEM | DC JACK 焊線式 CH 1.7 12A | | ANGLE PROJECTION | UNIT | mm | |
| | CHECKED BY | | | PART NO | CD4651092009-XX | TOLERANCE | | SCALE | 1:1 |
| | APPROVED BY | | | | | | .X±0.30 .XX±0.20 | DATE | 10/21/2020 |

1 2 3 4 5 6 7 8