

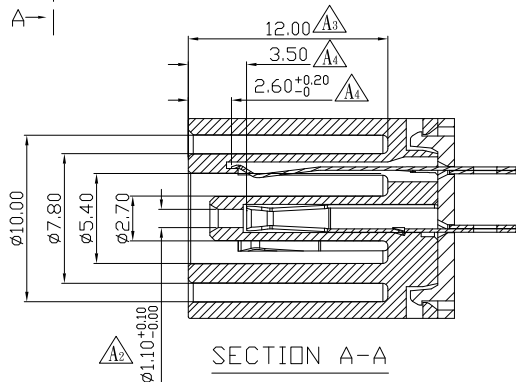
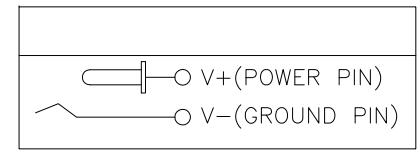
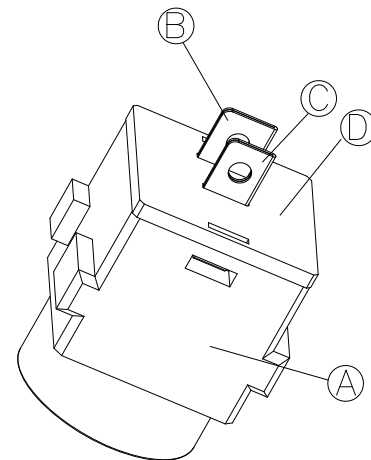
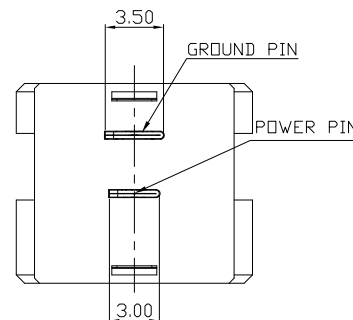
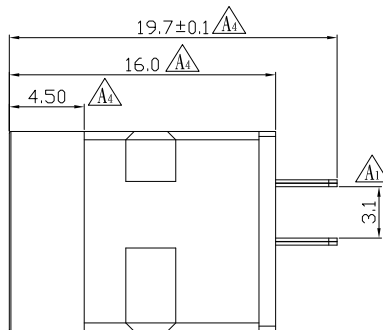
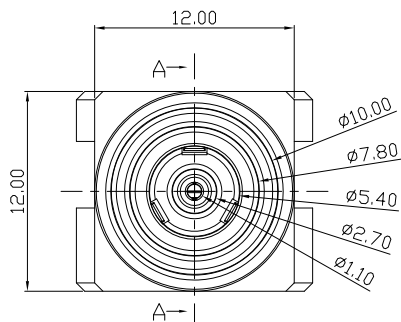
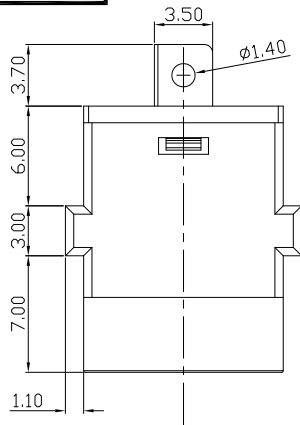
RoHS Compliant

Halogen Free

NOTES:

- 1.ELECTRICAL CHARACTERISTICS:
 - 1-1.CURRENT RATING:2A.
VOLTAGE RATING:50V.
 - 1-2.DIELECTRIC WITHSTANDING VOLTAGE:500V AC FOR 1 MINUTE.
 - 1-3.INSULATION RESISTANCE:100MΩ MIN,MEASURED BY 500VDC
 - 1-4.CONTCT RESISTANCE:10.0mΩ max. (Initial), 30 max. (Final).
- 2.MECHANICAL CHARACTERISTICS:
 - 2-1.DURABILITY(MATING/UNMATING CYCLES):11168 Min CYCLES.
 - 2-2.MATING FORCE:3-12N(0.3-1.2kgf).
 - 2-3.UNMATING FORCE:3-12N(0.3-1.2kgf).
- 3.ENVIRONMENTAL CHARACTERISTICS:
 - 3-1.OPERATING TEMPERATURE AND HUMIDITY RANGE:
-40°C TO +85°C,85% RH OR LESS.
 - 3-2.TEMPERATURE RISE NOT EXCEED 30°C.
- 4.The contents of the drawings contained herein may consider as PROPRIETARY information and are **STRICTLY CONFIDENTIAL**. Any unauthorized reproduction of it, disclosure and sharing the information with **THIRD PARTY** is strictly prohibited.

REVISION	DESCRIPTION	ECN/ECR	DATE	DRAWN BY
△A	NEW	—	04/23/2020	Zuo Sheng Sheng
△A	Add the size	—	10/12/2020	Zuo Sheng Sheng
△A	Marking dimensional tolerance	—	10/16/2020	Zuo Sheng Sheng
△A	modify structure	—	11/3/2020	Zuo Sheng Sheng
△A	Modify structure	—	11/5/2020	Zuo Sheng Sheng
△A	The material LCP was modified to PA66	—	01/15/2021	Zuo Sheng Sheng



Build of material:

Page: 1/2

NO	DESCRIPTION	QTY	MATERIAL	FINISH(OR COLOR)
D	STOPPLE	1	PA66;UL 94V-0 △A	BLACK
C	POWER PIN(+)	1	高导电C7035;T=0.20mm	GOLD FLASH MIN ON CONTACT AREA,MATTE SN 50u" MINON SOLDER TAIL,ALL OVER NI 50u" MIN.
B	GROUND PIN(-)	1	高导电C7035;T=0.20mm	GOLD FLASH MIN ON CONTACT AREA,MATTE SN 50u" MINON SOLDER TAIL,ALL OVER NI 50u" MIN.
A	HOUSING	1	PA66;UL 94V-0 △A	BLACK
				FINISH(OR COLOR)

東莞世華電子有限公司
 SHYH HWA ELECTRONICS CO.,LTD.(DONGGUAN)
 地址:東莞市塘廈鎮諸佛嶺178工業區
 TEL:0769-7910020-1 FAX:0769-7910210

DRAWN BY: Zuo Sheng Sheng
 CHECKED BY: Hu Jiu Liang
 APPROVED BY: Chen Chao

ITEM: DC POWER JACK 12X12
 PART NO: CD4711092006

ANGLE PROJECTION: UNIT: mm
 SCALE: 1:1
 TOLERANCE: .X±0.30 .XX±0.20 DATE: 01/15/2021